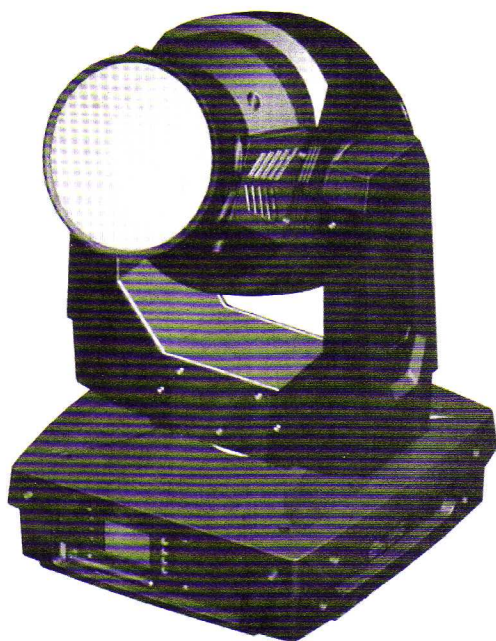


SHOWCO Xtream Beam



USER MANUAL

Table of content

1. Open the box and checking	1
2. Safety instructions	1
3. Operating determinations	2
4. Rigging the fixture	3
4.1 Mounting	4
4.2 Installing the Clamps	4
4.3 Connection	5
4.3.1 DMX-512 connection	6
4.3.2 DMX Cable Connection Diagram	6
4.3.3 DMX Terminator Diagram	7
5. Description of the device	7
6. Dimension	8
7. Display Control	9
7.1 Navigation in the Menu	9
7.2 Display Operation	9
7.2.1 Function Mode	9
7.2.2 Information	9
7.2.3 Personality	9
7.2.4 Reset Function	9
7.3 Menu Map	10
8. DMX protocol	12
9. Maintenance and cleaning	14
10. Electric equipment specification	15
10.1 Channel Characteristics	15
10.2 Menu Function	15

1. Open the box and checking

Congratulations on choosing our products! Please carefully read this instruction manual in its entirety and keep it well for using reference. This manual contained about the installation and the relative using information of this products. Please according to this manual's relative speaking when using this equipment.

This equipment was made of new style, high intensity plastic . It fully shows the modern times light characteristic with beauty structure. And it was made according to CE standard .Fully up the international standard of DM X512 agreement. Master or slave in phase ntrol .Can be use in large entertainment theater,performing and palying hall etc.

2. Safety instructions

Every person involved with installation and maintenance of this device have to:

- be qualilfied
- follow the instructions of this manualentertainment theater,performing and palying hall etc.

CAUTION!
*Be careful with your operations.
With a high voltage you can suffer
a dangerous electric shock when touching the wires!*

This device has left our premises in absolutely perfect condition. In order to maintain this condition and toen-sure a safe operation, it is absolutely necessary for the user to follow the safety instructions and warning notes written in this manual.

Important:

- The manufacturer will not accept liability for any resulting damages caused by the non-observance of this manual or any unauthorized modification to the device.
- Please consider that damages caused by manual modifications to the device are not subject to warranty.
- Never let the power-cord come into contact with other cables! Handle the power cord and all connections with the mains with particular caution!
- Make sure that the available voltage is not higher than stated on the rear panel.
- Always plug in the power plug least. Make sure that the power-switch is set to off-position before you co nnections with the mains with particular caution!
- Make sure that the power-cord is never crimped or damaged by sharp edges. Check the decice and the power-cord from time to time.
- Always disconnect from the mains, when the device is not in use or before cleaning it.
- Only handle the power-cord by the plug. Never pull out the plug by tugging the powercord.
- This device falls under protection class I. Therefore it is essential to connect the yellow/green conductor to earth.
- The electric connection, repairs and servicing must be carried out by a qualified employee.
- Do not connect this device to a dimmer pack.
- Do not switch the fixture on and off in short intervals as this would reduce the lamp's life. rly mean that the device is defective.
- Do not touch the device's housing bare hands during its operation (housing becomes hot)!
- For replacement use lamps and fuses of same type and rating only.

CAUTION ! EYEDAMAGES !

Avoid looking directly into the light source
(meant especially for epileptics) !

➤ **Installation**

Make sure all parts for fixing the projector are in a good state of repair. Make sure the point of anchorage is stable before positioning the projector. The safety chain must be properly hooked onto the fitting and secured to the framework, so that, if the primary support system fails, the fitting falls as little as possible. If the safety chain gets used, it needs to be replaced with a genuine spare.

➤ **Minimum distance of illuminated objects**

The projector needs to be positioned so that the objects hit by the beam of light are at least 12 metres from the lens of the projector.

➤ **Minimum distance from flammable materials**

The projector must be positioned so that any flammable materials are at least 0.20 metres (8") from every point on the surface of the fitting.

➤ **Mounting surfaces**

It is permissible to mount the fitting on normally flammable surfaces.

➤ **Maximum ambient temperature**

For the fitting to operate well and reliably, the ambient temperature should not exceed 45°C (113°F).

➤ **Protection against electrical shock**

Connection must be made to a power supply system fitted with efficient earthing (Class I appliance according to standard EN 60598-1). It is, moreover, recommended to protect the supply lines of the projectors from indirect contact and/or shorting to earth by using appropriately sized residual current devices.

➤ **Hooking up to the supply mains**

Connection to the electricity mains must be carried out by a qualified electrical installer. Check that the mains frequency and voltage correspond to those for which the projector is designed as given on the electrical data label. This label also gives the input power to which you need to refer to evaluate the maximum number of fittings to connect to the electricity line, in order to avoid overloading.

➤ **Temperature of the external surface**

The maximum temperature that can be reached on the external surface of the fitting, in a thermally steady state, is 80°C (176°F).

315W (12)



t_a 45°C



t_c 80°C



➤ Maintenance

Before starting any maintenance work or cleaning the projector, cut off power from the mains supply.

After switching off, do not remove any parts of the fitting for at least 10 minutes. After this time the likelihood of the lamp exploding is virtually nil. If it is necessary to replace the lamp, wait for another 15 minutes to avoid getting burnt. The fitting is designed to hold in any splinters produced by a lamp exploding.

The lenses must be mounted and, if visibly damaged, they have to be replaced with genuine spares.

➤ Lamp

The fitting mounts a high-pressure lamp that needs an external igniter. This igniter is fitted onto the apparatus.

- Carefully read the "operating instructions" provided by the lamp manufacturer.
- Immediately replace the lamp if damaged or deformed by heat.

➤ Battery

This product contains a rechargeable lead-acid battery. To preserve the environment, please dispose the battery at the end of its life according to the regulation in force.

3. Operating determinations

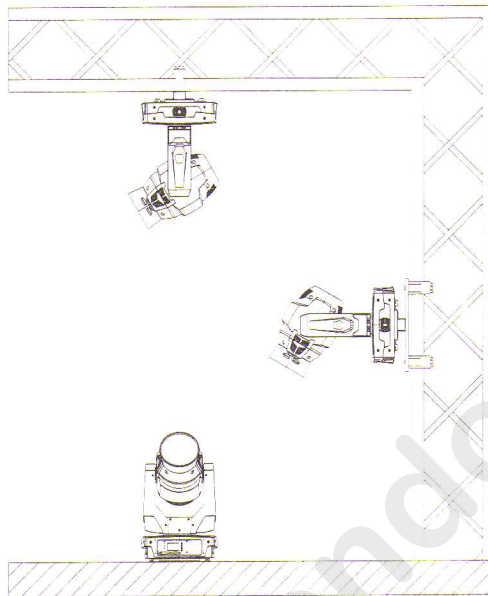
- This device is a moving-head for creating decorative effects and was designed for indoor use only.
- If the device has been exposed to drastic temperature fluctuation (e.g. after transportation), do not switch it on immediately. The arising condensation water might damage your device. Leave the device switched off until it has reached room temperature.
- Never run the device without lamp!
- Do not shake the device. Avoid brute force when installing or operating the device.
- Never lift the fixture by holding it at the projector-head, as the mechanics may be damaged. Always hold the fixture at the transport handles.
- When choosing the installation-spot, please make sure that the device is not exposed to heat, moisture or dust. There should not be any cables lying around. You endanger your own and the safety of others!
- The minimum distance between light output and the illuminated surface must be more than 1.5 meters.
- Make sure that the area below the installation place is blocked when rigging, derigging or servicing the fixture.
- Always fix the fixture with an appropriate safety rope. Fix the safety rope at the correct holes only.
- Operate the fixture after having checked that the housing is firmly closed and all screws are tightly fastened.
- The lamp must never be ignited if the objective-lens or any housing-cover is open, as discharge lamps may explode and emit a high ultraviolet radiation, which may cause burns.
- The maximum ambient temperature 45°C must never be exceeded.
- Operate the device only after having familiarized with its functions. Do not permit operation by persons not qualified for operating the device. Most damages are the result of unprofessional operation!
- Please use the original packaging if the device is to be transported.
- Please consider that unauthorized modifications on the device are forbidden due to safety reasons!
- If this device will be operated in any way different to the one described in this manual, the product may suffer damages and the guarantee becomes void. Furthermore, any other operation may lead to dangers like short-circuit, burns, electric shock, burns due to ultraviolet radiation, lamp explosion, crash etc.

The lamp used in this projector is a discharge lamp. After switching off don't attempt to restart the projector until lamp has cooled, this will require approx 15 minutes. Switching the lamp on and off at short intervals will reduce the life of both the lamp and the projector. But occasional breaks will prolong the lamp and projector

4. Rigging the fixture

4. 1 Mounting

-The FIXTURE can be installed in any position.



Pay attention to the regulations of CE

The installation shall be done by qualified staff only

- ☞ For the various mounting positions of the FIXTURE (standing on the floor, sideways or hanging) different accessories kits are available.
- ☞ Through this a safe and firm installation is assured.
- ☞ You'll find special connectors on the bottom side of the system which are put to use here.
- ☞ In addition the front side of the system is marked with (FRONT) as this is important for a even orientation during installation.

4. 2 Installing the Clamps

-DANGER TO LIFE Please consider the respective national norms during the Installation! The installation must only be carried out by an authorized dealer!

-The installation of the projector has to be built and constructed in a way that it can hold 10 times the weight for 1 hour without any harming deformation.

-The installation must always be secured with a secondary safety attachment, e.g. An appropriate catch net. This secondary safety attachment must be constructed in a way that no part of the installation can fall in if the main attachment fails.

-When rigging, derigging or servicing the fixture staying in the area below the installation place, on bridges, under high working places and other endangered areas is forbidden.

-The operator has to make sure that safety-relating and machine-technical installations are approved by an expert before taking into operation for the first time and after changes before taking into operation another time.

-The operator has to make sure that safety-relating and machine-technical installations are approved by an expert after every four year in the course of an acceptance test.

-The operator has to make sure that safety-relating and machine-technical installations are approved by a skilled person once a year.

-The projector should be installed outside areas where persons may walk by or be seated.

-Important! Overhead rigging requires extensive experience, including (but not limited to) calculating working load limits, installation material being used, and periodic safety inspection of all installation material and the projector. If you lack these qualifications, do not attempt the installation yourself, but instead use a professional structural rigger. Improper installation can result in bodily injury and or damage to property.

-The projector has to be installed out of the reach of people.

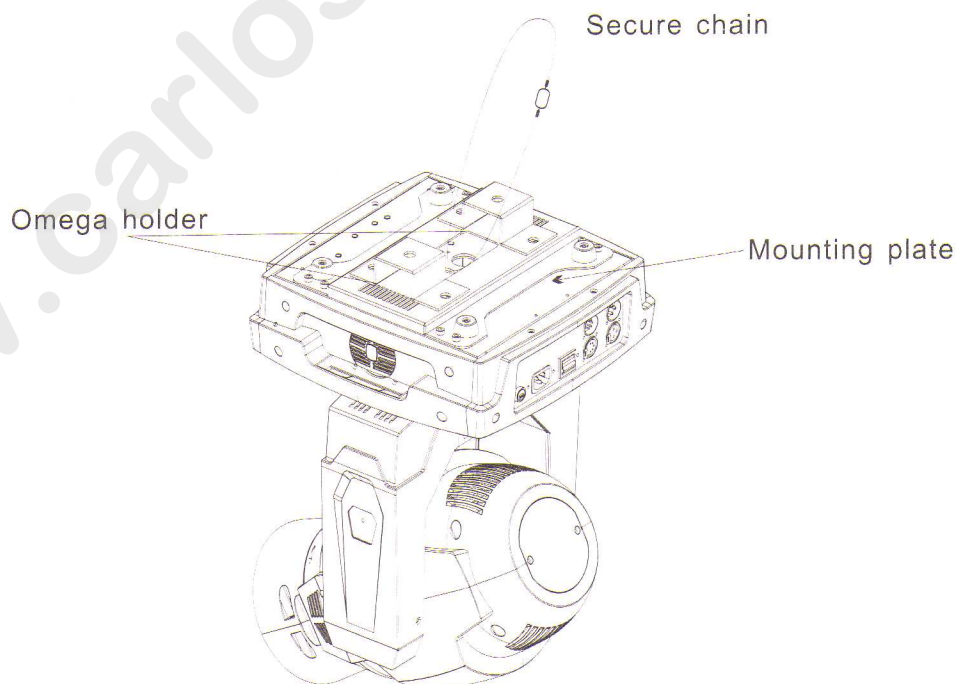
-If the projector shall be lowered from the ceiling or high joists, professional trussing systems have to be used. The projector must never be fixed swinging freely in the room.

-Caution Projectors may cause severe injuries when crashing down! If you have doubts concerning the safety of a possible installation, do NOT install the projector!

-Before rigging make sure that the installation area can hold a minimum point load of 10 times the projector's weight.


-The projector can be placed directly on the stage floor or rigged in any orientation on a truss without altering its operation characteristics.

-For overhead use, always install a safety-rope that can hold at least 10 times the weight of the fixture. You must only use safety-ropes with screw on carabines. Pull the safety-rope through the two apertures on the bottom of the base and over the trussing system etc.



4. 3 Connection

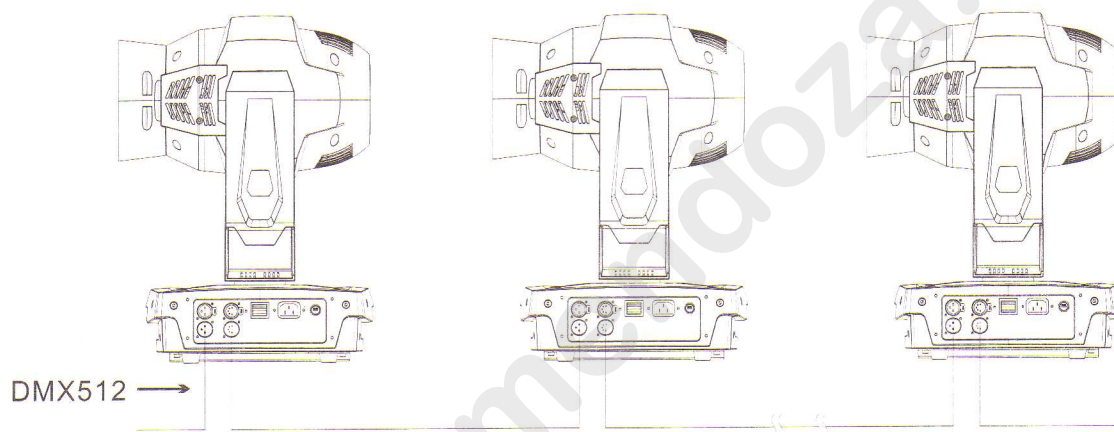
If you wish to change the power supply settings, see the chapter Appendix.
 Connect the fixture to the mains with the enclosed power cable and plug.
 The earth has to be connected!

Cable (EU)	Cable (US)	Pin	International
Brown	Black	Live	L
Light blue	White	Neutral	N
Yellow/Green	Green	Earth	

4. 3. 1 DM X-512 connection

DM X-512 connection/connection between fixtures

Only use a stereo shielded cable and 3-pin XLR-plugs and connectors in order to connect

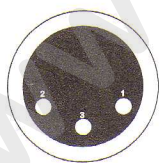


Caution:

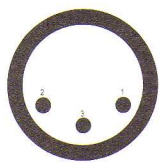
At the last fixture, the DM X-cable has to be terminated with a terminator. Solder a 120 resistor between Signal (-) and Signal (+) into a 3-pin XLR-plug and plug it in the DMX-output of the last fixture.

4. 3. 2 DMX Cable Connection Diagram

DMX output
3-Pin XLR Socket

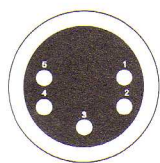


DMX iutput
3-Pin XLR Socket

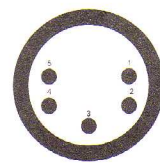


- 1: Ground
- 2: Signal (-)
- 3: Signal (+)

DMX output
5-Pin XLR Socket

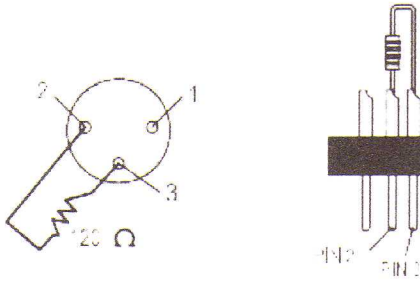


DMX iutput
5-Pin XLR Socket



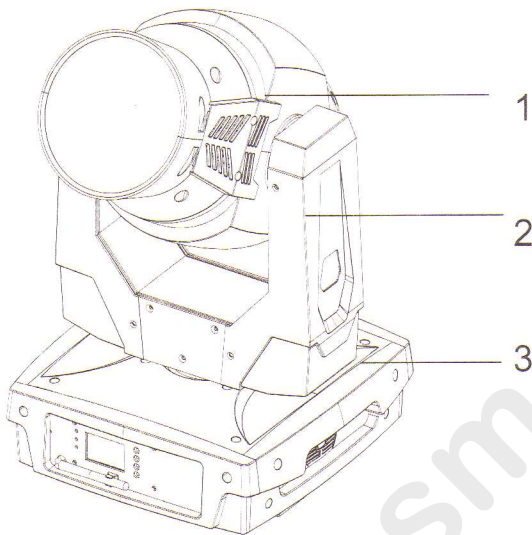
- 1: Ground
- 2: Signal (-)
- 3: Signal (+)
- 4: N. A.
- 5: N. A.

4.3.3 DMX Terminator Diagram



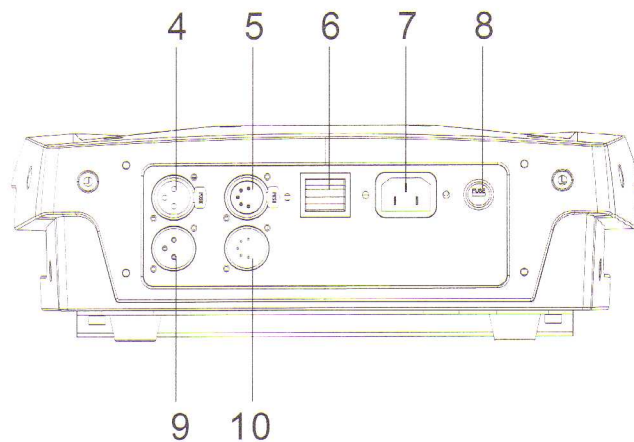
- For installations where the DMX cable has to run a long distance or is in an electrically noisy environment it is recommended to use a DMX terminator. This helps in preventing corruption of the signal by electrical noise. The DMX terminator is simply an XLR plug with a 120Ω resistor connected between pins 2 and pins 3, which is then plugged into the output XLR socket of the last fixture in the chain.

5. Description of the device

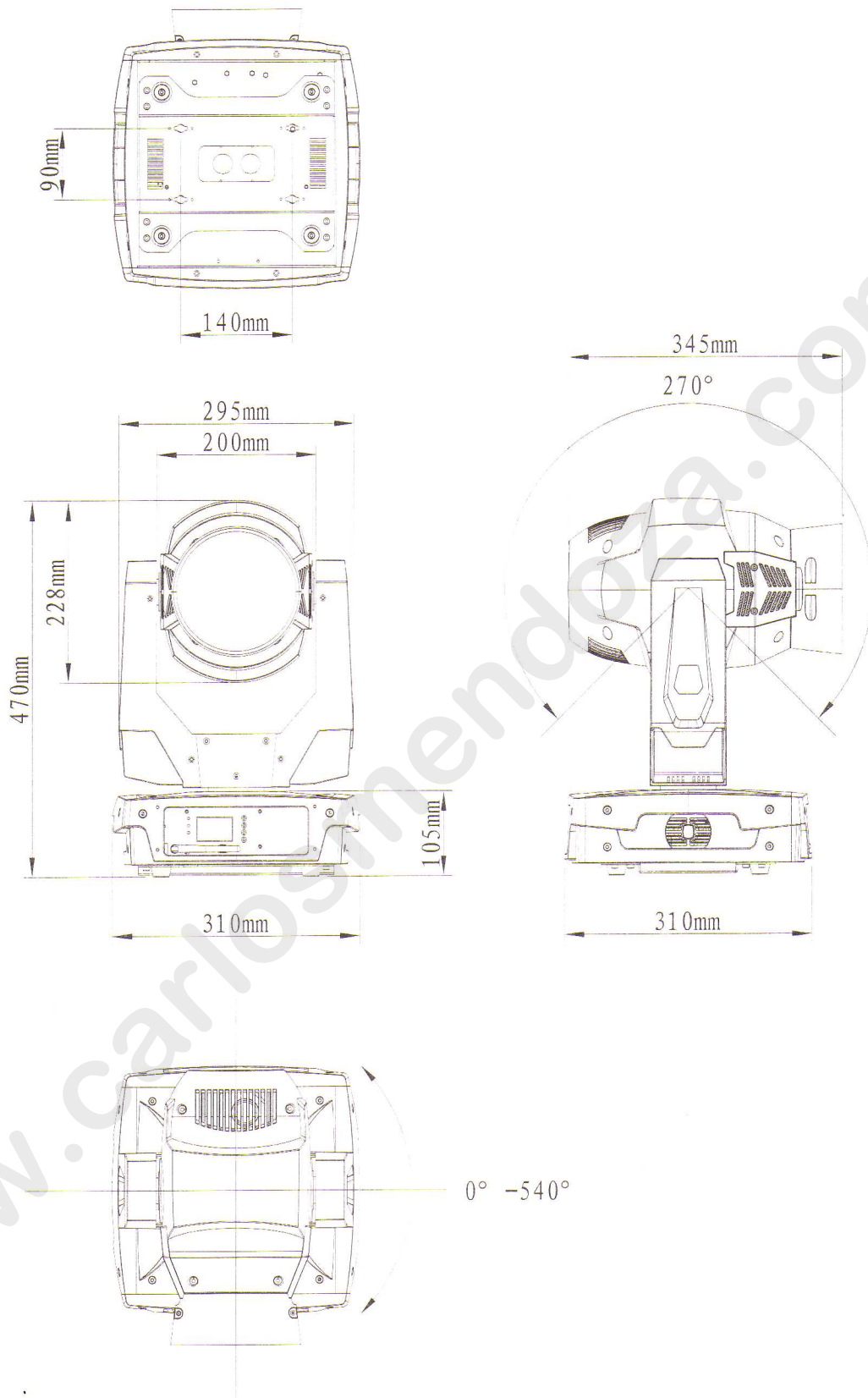


- 1. HEAD
- 2. ARM
- 3. BASE

- 4. 3-pin XLR female
- 5. 5-pin XLR female
- 6. power switch
- 7. power-in
- 8. Insurance seat
- 9. 3-pin XLR male
- 10. 5-pin XLR male



6.Dimension



7. Display Control

7.1 Navigation in the Menu

The Control Board offers several features: you can simply set the starting address, switch on and off the lamp, run the preprogrammed program or make a reset. The main menu is accessed by pressing the Mode-button until the display starts flashing. Browse through the menu by Up and Down button. Press the Enter-button in order to select the desired menu.

You can change the selection by pressing the Enter-button. Confirm every selection by pressing the Enter-button. You can leave every mode by pressing the Mode-button.

The functions provided are described in the sections 7.3

7.2 Display Operation

7.2.1 Function Mode

Set DMX address

With this function, you can adjust the desired DMX-address via the Control Board.

Select "Set DMX address" via the Up and Down button.

Press the Enter-button, adjust the DMX address by the Up and Down button.

Press the Mode-button to confirm.

Press the Mode-button in order to return to the main menu.

Value Display

With this function, you can display the DMX 512 value of each channel. The display automatically shows the channel with a value changing.

Auto Program

With this function, you can run the internal Programs.

Music control

With this function, you can run the internal program sound-controlled.

7.2.2 Information

Time information

With this function, you can display the Current Time the Total Run Time and you can clear Last run time of the fixture.

Temp. Info

With this function, you can display the temperature of the base and the Head.

Product Info

With this function, you can display the software version of the device and the unit model.

7.2.3 Personality

Status setting

-Address via DMX

With this function, you can adjust the desired DMX-address via an external controller.

-No DMX Status

With this function, when the drive is not DMX signal, it runs a program, close, hold and music, the default is hold.

-Pan Reverse

With this function you can reverse the Pan-movement.

-Mic Sensitivity

With this function, the default is 70%, you can select the desired microphone sensitivity from 0 % to 99 %.

DMX Mode

With this function, you can select to work with mode 1 or mode 2

Reset default

With this function, you can set the Reset on or off.

Display settings

With this function you can shut off the LCD display after 2 to 59 minutes.

Temperature C/F

With this function, Display the temperature for Celsius or Fahrenheit.

7.2.4 Reset Function

With this function you can reset the device via the Control Board.

You can select the different reset functions by Up and Down button.

Fixture in error, LCD screen display " PAN、 TILT、 Color、 RGobo、 Focus、 Prism " fixture will reset 2 times when error info displayed to confirm the error., see picture.

7.3 Menu Maps

wireless version

Function Mode	Set Dmx Address	A001~AXXX	
	Value Display	PAN Moving.....	
	Auto Program	Master	
		Alone	
		OFF	
	Music Control	Master	
		Alone	
OFF			
Information	Time Information	Current Time	ON/OFF
		Total Run Time	ON/OFF
		Clear Fixture Time	ON/OFF
	Temp. Information	Head Temp	ON/OFF
	Product Info.	Logo Unit Model、VerXX Company WEB	
Lamp control	Switch lamp	ON/ OFF	
	Power on light	ON/OFF	
	Light by DMX	ON/OFF	
	Lamp on delay	05M	
Personality	Status Settings	Addr. Via DMX	ON/OFF
		No DMX Status	Close
			Hold
			Auto
			Music
		Pan Reverse	ON/OFF
		Tilt Reverse	ON/OFF
		Fine Resolution	ON/OFF
	Feedback	ON/OFF	
	Mic Sensitivity	70%, 0~99%	
	Fans Control	Auto Fans Speed	
		High Fans Speed	
		Low Fans Speed	
	Display Set	Dis Close Time	05 M, 02-59M
Temperature C/F	Celsius/Fahrenheit		
Reset Default	ON/OFF		
Reset Function	Reset All 、 Reset Pan/Tilt 、 Reset Color 、 Reset Gobo、 Reset Else		
Adjust	Test Channel	PAN.....XXX	PAN =XXX
		TILT.....XXX	
	Regulate Value	--Password--	Password=XXX
PAN		PAN =XXX	

Standard version

Function Mode	Set Dmx Address	A001~AXXX	
	Value Display	PAN Moving.....	
	Auto Program	Master	
		Alone	
		OFF	
	Music Control	Master	
Alone			
OFF			
Information	Time Information	Current Time	ON/OFF
		Total Run Time	ON/OFF
		Clear Fixture Time	ON/OFF
	Temp. Information	Head Temp	ON/OFF
	Product Info.	Logo Unit Model、VerXX Company WEB	
Lamp control	Switch lamp	ON/ OFF	
	Power on light	ON/OFF	
	Light by DMX	ON/OFF	
	Lamp on delay	05M	
Personality	Status Settings	Addr. Via DMX	ON/OFF
		No DMX Status	Close
			Hold
			Auto
			Music
		Pan Reverse	ON/OFF
		Tilt Reverse	ON/OFF
		Fine Resolution	ON/OFF
		Feedback	ON/OFF
	WDMX	ON/OFF/ RESET	
	Mic Sensitivity	70%, 0~99%	
	Fans Control	Auto Fans Speed	
		High Fans Speed	
		Low Fans Speed	
	Display Set	Dis Close Time	05 M, 02-59M
Temperature C/F	Celsius/Fahrenheit		
Reset Default	ON/OFF		
Reset Function	Reset All 、 Reset Pan/Tilt 、 Reset Color 、 Reset Gobo 、 Reset Else		
Adjust	Test Channel	PAN.....XXX	PAN =XXX
		TILT.....XXX	
	Regulate Value	--Password--	Password=XXX
PAN		PAN =XXX	

8.DMX protocol

Mode1	Mode2	Name	Function	DMX Value			
1	1	PAN 8BIT		0-255			
2		Pan 16BIT		0-255			
3	2	TILT 8BIT		0-255			
4		TILT 16BIT		0-255			
5	3	Speed pan/tilt movement	max to min speed	0-225			
			blackout by movement	226-235			
			blackout by all wheel changing	236-245			
			no function	246-255			
6	4	Color Wheel1	Open / white	0-12			
			Color 1	13-25			
			Color 2	26-38			
			Color 3	39-51			
			Color 4	52-64			
			Color 5	65-77			
			Color 6	78-90			
			Color 7	91-103			
			Color 8	104-116			
			Color 9	117-127			
			Forwards rainbow effect from fast to slow	128-187			
			No rotation	188-193			
Backwards rainbow effect from slow to fast	194-255						
7	5	Rotating gobos index, cont.rotation	Open	0-5			
			Rot. gobo 1	6--13			
			Rot. gobo 2	12 --20			
			Rot. gobo 3	18-27			
			Rot. gobo 4	24-34			
			Rot. gobo 5	30-41			
			Rot. gobo 6	36-48			
			Rot. gobo 7	42-55			
			Rot. gobo 8	48-62			
			Rot. gobo 9	54-69			
			Rot. gobo 10	60-76			
			Rot. gobo 11	66-83			
			Rot. gobo 12	72-79			
			Gobo 1 shake slow to fast	80-89			
			Gobo 2 shake slow to fast	90-99			
			Gobo 3 shake slow to fast	100-109			
			Gobo 4 shake slow to fast	110-119			
			Gobo 5 shake slow to fast	120-129			
			Gobo 6 shake slow to fast	130-139			
			Gobo 7 shake slow to fast	140-149			
			Gobo 8 shake slow to fast	150-159			
			Gobo 9 shake slow to fast	160-169			
			Gobo 10 shake slow to fast	170-179			
			Gobo 11 shake slow to fast	180-189			
			Gobo 12shake slow to fast	190-199			
			Rot. gobo wheel cont. rotation slow to fast	200-255			
			8	6	Gobo rotating	No rotation	0-8
						Forwards gobo rotation from fast to slow	9-127
No rotation	128-135						
Backwards gobo rotation from slow to fast	136-255						

9	7	Prism、Frost	Open 3 Prism 8 Prism Frost	0-63 64-127 128-191 192-255
10	8	Prism rotating	No rotation Forwards gobo rotation from fast to slow No rotation Backwards gobo rotation from slow to fast	0-5 6-125 126-131 132-255
11	9	Prism macros	No Function Macro 1 Macro 2 Macro 3 Macro 4 Macro 5 Macro 6 Macro 7 Macro 8 Macro 9 Macro 10 Macro 11 Macro 12 Macro 13 Macro 14 Macro 15	0-15 16-31 32-47 48-63 64-79 80-95 96-111 112-127 128-143 144-159 160-175 176-191 192-207 208-223 224-239 240-255
12	10	Focus	Continuous adjustment from near to far	0-255
13	11	Strobe	Shutter closed No function (shutter open) Strobe effect slow to fast No function (shutter open) Pulse-effect in sequences No function (shutter open) Random strobe effect slow to fast No function (shutter open)	0-31 32-63 64-95 96-127 128-159 160-191 192-223 224-255
14	12	Dimmer	Intensity 0 to 100%	0-255
15	13	Reset、Lamp on/off	colour change normal colour change to any position Lamp switch off No function All motor reset Scan motor reset Colors motor reset Gobo motor reset No function Other motor reset Internal program 1 Internal program 2 Internal program 3 Internal program 4 Internal program 5 Internal program 6 Internal program 7 Lamp on	0-20 20-39 40-59 60-79 80-84 85-87 88-90 91-93 94-96 97-99 100-119 120-139 140-159 160-179 180-199 200-219 220-239 240-255

9. Maintenance and cleaning

It is absolutely essential that the fixture is kept clean and that dust, dirt and smoke-fluid residues must not buildup on or within the fixture. Otherwise, the fixtures light-output will be significantly reduced. Regular cleaning will not only ensure the maximum light-output, but will also allow the fixture to function reliably through out its life. A soft lint-free cloth moistened with any good glass cleaning fluid is recommended, under no circumstances should alcohol or solvents be used!

DANGER : Disconnect from the mains before starting any maintenance work

The front objective lens will require weekly cleaning as smoke-fluid tends to building up residues, reducing the light-output very quickly. The cooling-fans should be cleaned monthly

The gobos may be cleaned with a soft brush. The interior of the fixture should be cleaned at least annually using a vacuum -cleaner or an air-jet.

The dichroic colour-filters, the gobo-wheel and the internal lenses should be cleaned monthly.

To ensure a proper function of the gobo-wheel , we recommend lubrication in six month intervals. The quantity of oil must not be excessive in order to avoid that oil runs out when the gobo-wheel rotates.

There are no serviceable parts inside the device except for the lamp and the fuse. Please refer to the instructions under "Fitting/Exchanging the lamp ". Maintenance and service operations are only to be carried out by authorized dealers.

Replacing the fuse

If the lamp burns out, the fine-wire fuse of the device might fuse, too. Only replace the fuse by a fuse of same type and rating. Before replacing the fuse, unplug mains lead.

10. Electric equipment specification

SOURCE : MSD PLATINUM 5R (PHILIPS)

POWER CONSUMPTION : 315W AC220V/50HZ

VOLTAGE : AC100-240V 50/60HZ

NET WEIGHT : 12.5KG

10.1 Channel Characteristics

15 DMX Chs

Scan: Pan 540°, Tilt 260°. Scan speed adjustable. Scan following with shutter. Fixture could auto reset.

Color Wheel: one open+14colors. Speed variable double way rainbow effect. Color location/color random optional.

Gobo wheel: 9 rotation gobos + open

Prism : 3 face prism, 8 face prism internal prism effect

Focus: Linearity .

Strobe: two motor strobe, synchronous, non-synchronous, random strobe effect.

Dimmer: full range dimmering.

10.2 Menu Function

Blue/White LCD display graphic, English menu.

Each DMX Value displayable

Monitor could ON/OFF automatically.

Show fixture, lamp use time.

No signal, fixture status keep reset status, maintain status, AutoPlay procedure, sound control status

Remote ON by DMX.

wireless receiver pre-installed

