

Showco Pin Beam LED



www.carlosmendoza.com.mx

TABLE OF CONTENTS

GENERAL FEATURES	11
TECHNICAL SPECIFICATION	12
GENERAL INSTRUCTIONS	12
SAFE AND EFFICIENT USE	12
PRODUCT CARE	13
CONTROL AND FUNCTION	13
Front panel	13
OPERATION GUIDE	14
Master / slave mode	14
Automatic mode	15
DMX Controller connection	16

GENERAL FEATURES

Thank you for your purchase. This unit is a 4 channels LED spotlight and it is featured by:

- 3 pin standard DMX IN / OUT ports providing to communicate with a external controller and with others Showco Pin Beam LED units.
- Modulate function of RGB three base tones.
- The Sub-mother light link function, set up many kinds of light group fluctuate program inside.
- The regular speed of flashes frequently function.
- Low power dissipation, longer-lived.

Every effort has been made to design dependability, reliability and comfort into each unit. New products are being designed constantly to meet the needs of both entertainment and the lighting industry. We welcome your comments about our product and services.

It is both a privilege and pleasure serving you.

TECHNICAL SPECIFICATION

Power input	AC J€ Ę230V ~ 50 – 60 Hz
Power	12 W
DMX In/Out	3 pin XLR sockets
Fuse	F6.3 A 250V 5×20 mm
Dimensions (mm)	95×160×150
Weight (kg)	1,12
Operative conditions	Temperature: -10°C~ 35°C Humidity: < 95%

GENERAL INSTRUCTIONS

Please read through this operating instructions before installing or using your new product. After you have finished reading the instructions, put them away in a safe place for future reference.

SAFE AND EFFICIENT USE

- This product must be earthed
- Do not make any inflammable liquids, water or metal objects enter the unit.
- Take care not to damage the power cord.
- No user serviceable parts inside, always consult authorized personnel for repairs.
- In the event of malfunction immediately stop operation, disconnect the power supply plug and consult authorized service personnel.
- To prevent fire or shock hazard, do not expose this product to rain or moisture.

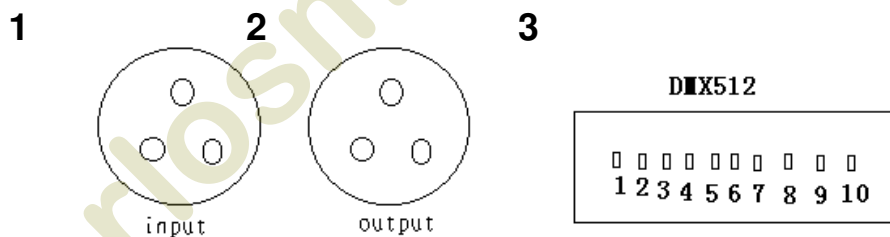
Venta y servicio: (55) 56 72 85 69 - 50 25 91 94

PRODUCT CARE

- This product is intended for indoor use only.
- Provide occasional ventilation during use.
- Unplug the power plug from the sockets when not using the unit for extended period.
- Do not use the unit in places subject to excessive humidity vibration or bumps.
- Place this unit in a stable location.
- Do not dismantle or modify the unit.

CONTROL AND FUNCTION

FRONT PANEL

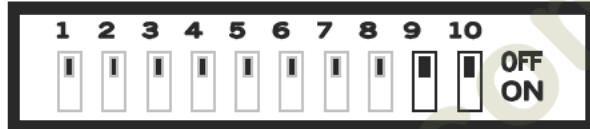


4. Male XLR socket: Input socket for DMX signal
5. Female XLR socket: Input socket for DMX signal
6. Dipswitches: Switches for the addressing.

OPERATION GUIDE

MASTER / SLAVE MODE

Set the No. 9 and 10 dipswitches of the LED spotlight you want to use as Master on the ON position.



On the LED spotlights that you will link to the Master LED spotlight, slide the No. 9 dipswitch on the ON position and the No. 10 dipswitch on the OFF position.



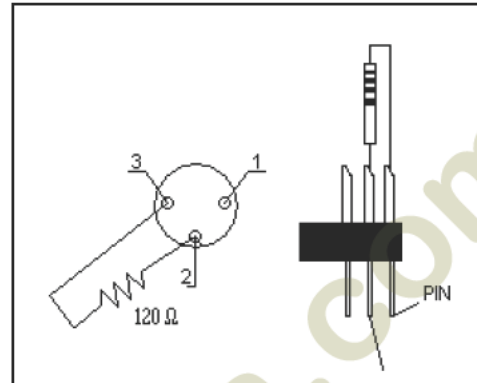
Adjust Master LED's dipswitches 1 – 8 to modify lamp clusters of color (only change main lamp). So every LED linked to the Master LED will follow the Master activity.

DIPSWITCHES FUNCTION

1.ON	(R) red low luminance	2.ON	(R) red mid luminance
3.ON	(R) red high luminance	4.ON	(G) green low luminance
5.ON	(G) green mid luminance	6.ON	(G) green high luminance
7.ON	(B) blue mid luminance	8.ON	(B) blue high luminance

The lamp group in series, only can establish the main lamp, otherwise will produce messy code, the movement is abnormally.

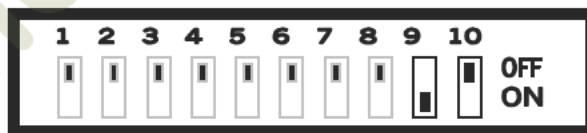
For all installation, having long signal cables or in the presence of electrical noise, for example a discotheque, it is recommended practice to use a DMX terminator: this assist in preventing corruption of the digital control signal by external noise.



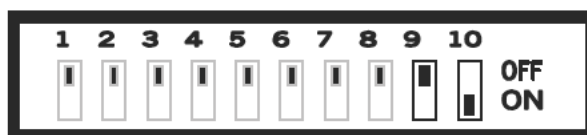
The DMX terminator is simply an XLR connector with a 120Ω (Ohm) resistor connected across pins 2 and 3, which is then plugged into the DIGITAL THRU socket on the last projector in the chain.

AUTOMATIC MODE

Move the No. 9 dipswitch on the ON position and the No. 10 dipswitch on the OFF position.



For the other LEDs that you will link to the Master LED set the No. 9 switch on the OFF position and the No. 10 switch on the ON position



Through the dipswitches No. 1, 2 and 3, select the wanted internal program and set the running speed of the program by the dipswitches No. 4, 5, 6, 7 e 8. For some help see the following tabs:

FUNCTION OF THE DIPSWITCHES No. 1, 2, 3.

DIPSWITCH POSITION			FUNCTION
1	2	3	
OFF	OFF	OFF	8 kinds color of circulation fluctuate mode
ON	OFF	OFF	All Light are on and fluctuate mode
OFF	ON	OFF	All Light are on and frequently fluctuate mode
ON	ON	OFF	Red and blue circulation fluctuate mode
OFF	OFF	ON	The automatic circulation program fluctuate mode

FUNCTION OF THE DIPSWITCHES No. 4, 5, 6, 7, 8.

DIPSWITCH	RUNNING SPEED
4 ON	Very fast
5 ON	Fast
6 ON	Medium-fast
7 ON	Medium
8 ON	Slow

DMX CONTROLLER CONNECTION

To control the LED spotlight PLLEDSP by an external DMX controller, set the No. 10 dipswitch on the ON position.



The address code of each LED is programmed by switches.

See the following tab to have the dipswitches position in relation with address code.

<i>Dipswitches</i>	1 ON	2 ON	3 ON	4 ON	5 ON	6 ON	7 ON	8 ON	9 ON
<i>Value</i>	1	2	4	8	16	32	64	128	256

Each Pin Beam LED needs four loops of DMX-512 to control, the table of the loop control function. The relative functions are described in the following tab:

CHANNEL	FUNCTION
1	0 OFF 1 – 127 Strobe effect (from slow to fast) 128 – 255 Dimmer effect
2	0 – 255 red LED luminance control
3	0 – 255 green LED luminance control
4	0 – 255 blue LED luminance control.

When you have several LED spotlights connected all together, remember that each spotlight takes 4 channels, so the first one address code should be set as 1, the second one as 5, the third one as 9 and so on.