

# Manual Showco Telón de Leds

[www.carlosmendoza.com.mx](http://www.carlosmendoza.com.mx)



# T ABLE OF CONTENTS

<b>TABLE OF CONTENTS.....</b>	<b>I.</b>
<b>PART 1 PRODUCT (GENERAL).....</b>	<b>1.</b>
1.1-- <i>PRODUCT INTRODUCTION.....</i>	<i>2.</i>
1.2-- <i>PRODUCT FEATURES.....</i>	<i>2.</i>
1.3-- <i>TECHNICAL SPECIFICATIONS.....</i>	<i>2.</i>
1.4-- <i>SAFETY WARNING.....</i>	<i>3.</i>
<b>PART 2 INSTALLATION.....</b>	<b>4.</b>
2.1-- <i>PRODUCT OVERVIEW.....</i>	<i>5.</i>
2.2-- <i>LED DRAPE HANGING SKETCH MAP.....</i>	<i>6.</i>
2.3-- <i>DMX 12CH/24CH MODE CONNECTION .....</i>	<i>7.</i>
2.4-- <i>DMX 24CH MODE CONNECTION .....</i>	<i>7.</i>
2.5-- <i>MASTER / SLAVE MODE CONNECTION.....</i>	<i>7.</i>
<b>PART 3 USING THE DRAPE LED SYSTEM CONTROLLER .....</b>	<b>8.</b>
3.1-- <i>BASIC.....</i>	<i>9.</i>
3.2-- <i>MENU.....</i>	<i>10.</i>
3.3-- <i>10CH DMX MODE.....</i>	<i>11.</i>
3.4-- <i>24CH DMX MODE.....</i>	<i>11.</i>
3.5-- <i>AUTO PROGRAMS EDIT MODE.....</i>	<i>12.</i>
3.6-- <i>SLAVE MODE.....</i>	<i>13.</i>
3.7-- <i>SETTING.....</i>	<i>13.</i>
<b>PART 4 USING A DMX512 CONTROLLER.....</b>	<b>14.</b>
4.1-- <i>BASIC ADDRESSING.....</i>	<i>15.</i>
4.2-- <i>CHANNEL ASSIGNMENT.....</i>	<i>15.</i>
<b>PART 5 MAINTENANCE.....</b>	<b>18.</b>
5.1-- <i>MAINTENANCE.....</i>	<i>19.</i>
5.2-- <i>PARTS LIST.....</i>	<i>19.</i>

# 1 PRODUCT (GENERAL)

- 1.1 PRODUCT INTRODUCTION
- 1.2 PRODUCT FEATURES
- 1.3 TECHNICAL SPECIFICATIONS
- 1.4 SAFETY WARNING

## 1.1 PRODUCT INTRODUCTION

This product is designed for indoor use. Suitable applications include large or small background lighting effect for stage, opera, nightclub application. This product can be operated as a single unit or in multiple units for large applications. Direct input of DMX512 signal to the DRAPE LED SYSTEM controller allows the units to be controlled from any DMX512 controller. Powerful internal programs and simple to program user-programs allow this product to meet the needs of any lighting project.

## 1.2 PRODUCT FEATURES

- \* RGB Dimmer 0-100%
- \* Strobe
- \* Master / slave / DMX512 working mode
- \* Powerful automatic programs
- \* 8 User self-programmable sequences
- \* LCD display
- \* 12CH DMX512 mode
- \* 24CH DMX512 mode

## 1.3 TECHNICAL SPECIFICATIONS

### DRAPE LED SYSTEM

<i>DRAPE LED SYSTEM</i>	
<b>Voltage</b>	AC90-260V, 50/60Hz
<b>Rated Power</b>	250W
<b>Dimensions</b>	570 x 169x 190mm
<b>Weight</b>	4Kg

### drapeLED

<i>drapeLED :</i>	
<b>LED/Unit</b>	128PCS
<b>LED life span</b>	100,000 hrs
<b>Dimensions</b>	600 x 400x 5cm
<b>Weight</b>	18 Kg

## 1.4 SAFETY WARNING

### IMPORTANT

**[ALWAYS READ THE USER MANUAL BEFORE OPERATION. ]  
[PLEASE CONFIRM THAT THE POWER SUPPLY STATED ON THE  
PRODUCT IS THE SAME AS THE MAINS POWER SUPPLY IN YOUR  
AREA.]**

- This product must be installed by a qualified professional.
- Always operate the equipment as described in the user manual.
- A minimum distance of 0.5m must be maintained between the equipment and combustible surface.
- The product must always be placed in a well ventilated area.
- Always make sure that the equipment is installed securely.
- DO NOT stand close to the equipment and stare directly into the LED light source.
- Always disconnect the power supply before attempting and maintenance.
- Always make sure that the supporting structure is solid and can support the combined weight of the products.
- The earth wire must always be connected to the ground.
- Do not touch the power cables if your hands are wet.

### ATTENTION

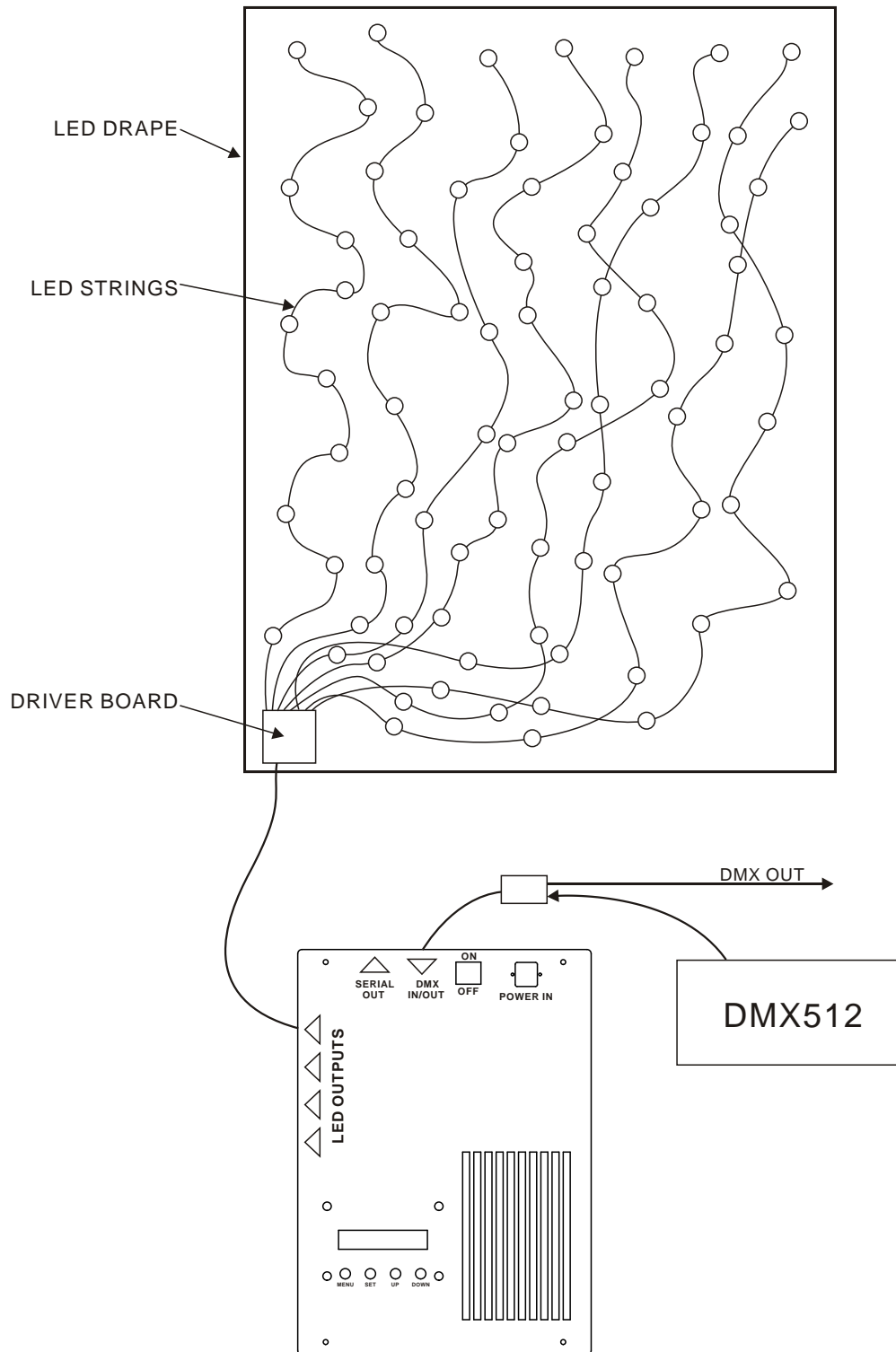


- This product left the place of manufacture in perfect condition. In order to maintain this condition and for safe operation, the user must always follow the instructions and safety warnings described in this user manual.
- Avoid shaking or strong impacts to any part of the equipment.
- Make sure that all parts of the equipment are kept clean and free of dust.
- Always make sure that the power connections are connected correct and secure.
- If there is any malfunction of the equipment, contact your distributor immediately.
- When transferring the product, it is advisable to use the original packaging in which the product left the factory.

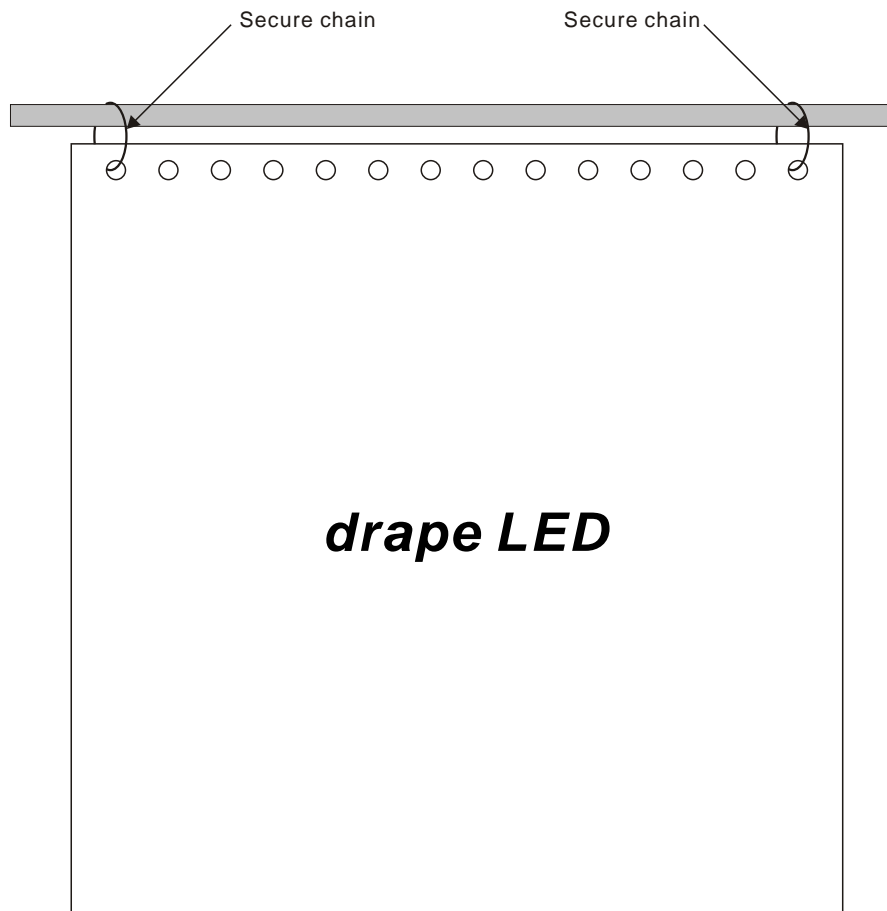
# 2 INSTALLATION

- 2.1 PRODUCT OVERVIEW
- 2.2 LED DRAPE HANGING SKETCH MAP
- 2.3 DMX 12CH/24CH MODE CONNECTION
- 2.4 DMX 24CH MODE CONNECTION
- 2.5 MASTER / SLAVE MODE CONNECTION

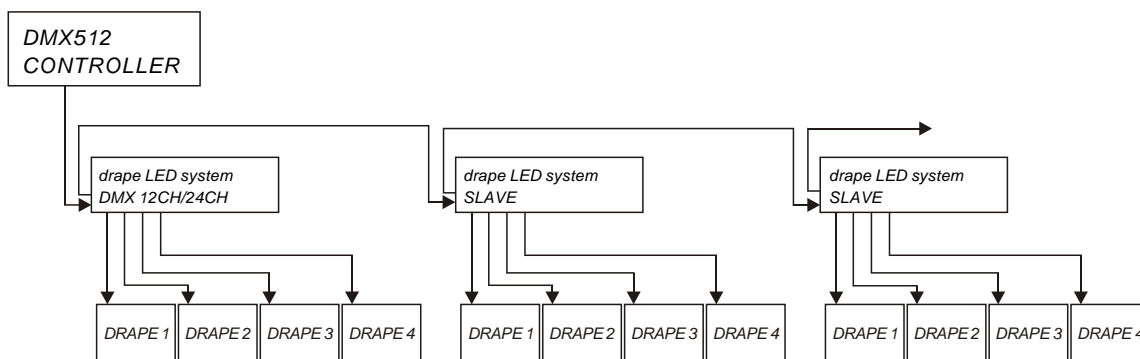
## 2.1 PRODUCT OVERVIEW



## 2.2 LED DRAPE HANGING SKETCH MAP



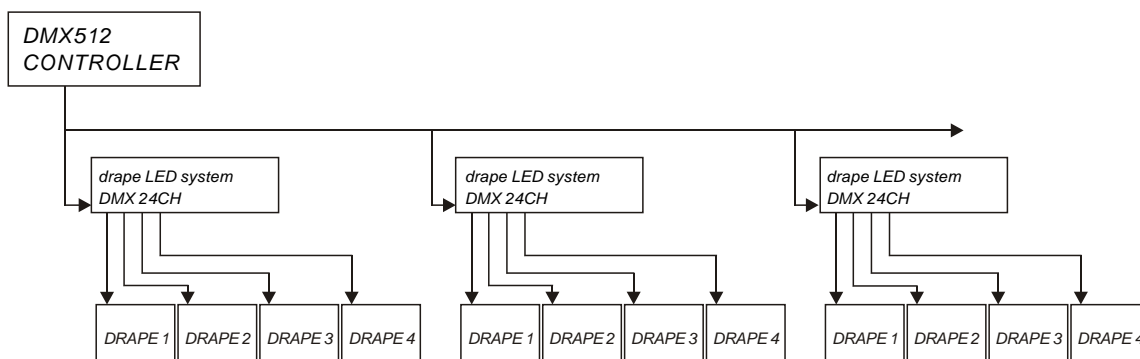
## 2.3 DMX 12CH/24CH MODE CONNECTION



- First, set the first drape LED system as DMX12CH or 24CH mode, other systems as slave mode. Then connect DMX512KT with the first system, other systems connect to the first one in series.

**Noted:** to ensure the same display speed of all dreaps, please make connection as above.

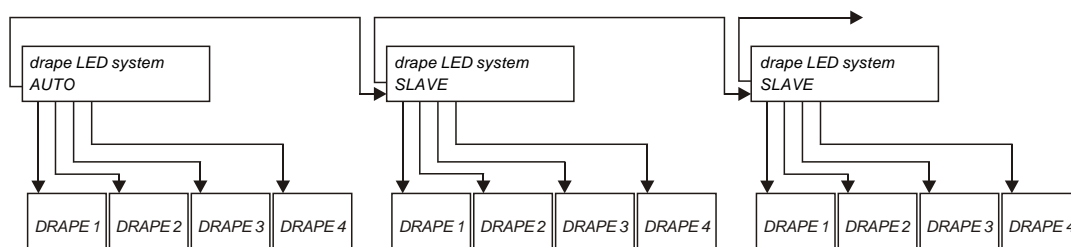
## 2.4 DMX 24CH MODE CONNECTION



- First, set the all drape LED system as DMX 24CH mode, then connect DMX512KT with each system in shunt-wound way.

**Noted:** to achive the best synchronous effect, please set all systems with same DMX address.

## 2.5 MASTER / SLAVE MODE CONNECTION



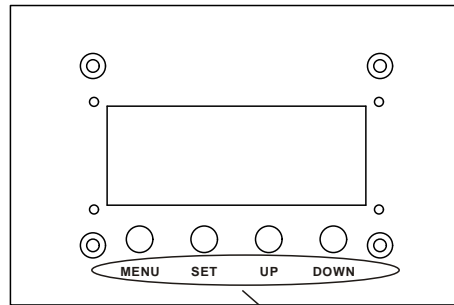
- First, set the first drape LED system as Auto mode, other systems as slave mode. Then connect DMX512KT with the first system, other systems connect to the first one in series.

# 3 USING THE DRAPE LED SYSTEM

- 3.1 BASIC
- 3.2 MENU
- 3.3 10CH DMX MODE
- 3.4 24CH DMX MODE
- 3.5 AUTO PROGRAMS EDIT MODE
- 3.6 SLAVE MODE
- 3.7 SETTING

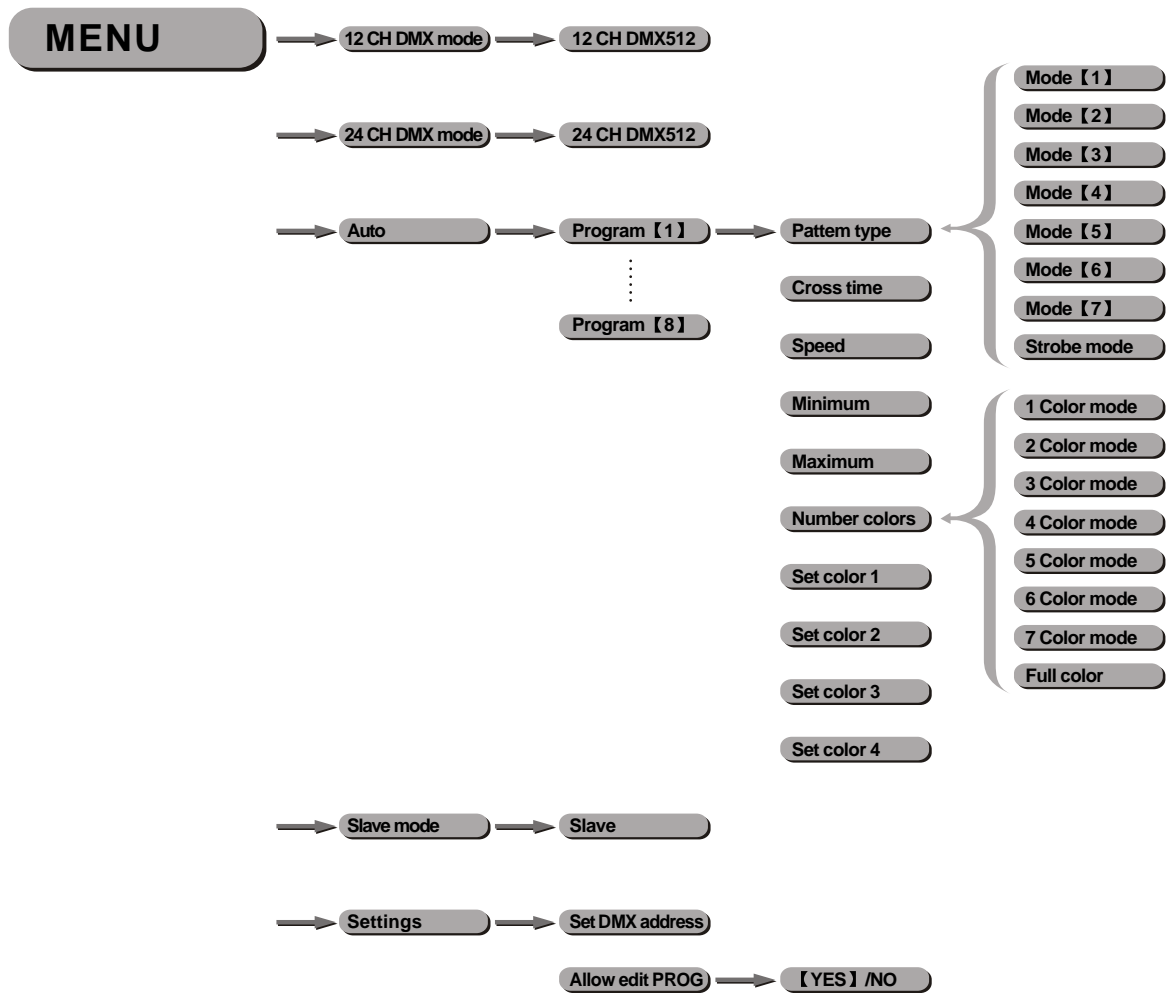
## 3.1 BASIC

The DRAPE LEDSYSTEM is mounted with a LCD display and 4 control buttons.

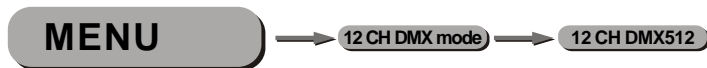


- 【MENU】** menu selection or return to previous menu
- 【SET】** enter the currently selected menu or confirm the current function value
- 【UP】** scroll 'UP' through the menu list or increase the value of the current function
- 【DOWN】** scroll 'DOWN' through the menu list of decrease the value of the current function

## 3.2 MENU

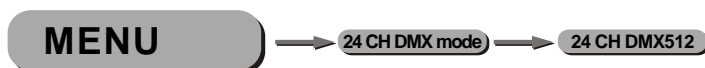


### 3.3 10CH DMX MODE



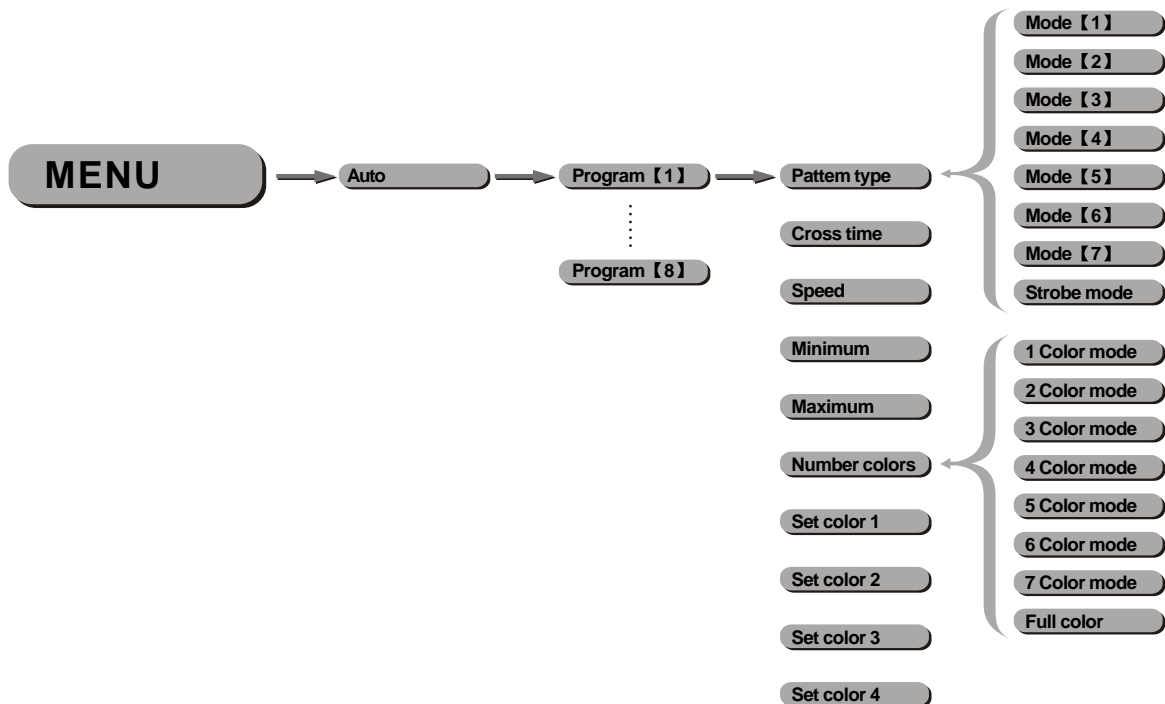
- Select (12CH DMX mode), press 'SET' to confirm and save this work mode

### 3.4 24CH DMX MODE



- Select (24CH DMX mode), press 'SET' to confirm and save this work mode

## 3.5 AUTO PROGRAMS EDIT MODE



- select (**Program [ 1 ] -- [ 8 ]** ) user program edit menu, it show the specific display effect.
- when (**Auto edit PROG**) allow edition, enter (**Program Edit**) menu to operate and save the modification.
- when under the multiple controller operation condition, only one controller was allowed to be set as master controller, enter this menu the controller will be set as the master automaticly.

3.5.1 (**Pattern type**) mode, allow to select 7 kinds of direction mode or strobe mode.

3.5.2 (**Cross Time**) strobe speed or spark time, when pattern type is strobe mode, it adjust the strobe frequency, when pattern type is direction mode, it adjust spark time.

3.5.3 (**Speed**) value [ 000 ] -- [ 255 ] , adjust the color change speed when strobe.

3.5.4 (**Minimum**) minimum brightness value, value [ 000 ] -- [ 255 ]

3.5.5 (**Maximum**) maximum brightness value, value [ 000 ] -- [ 255 ]

3.5.6 (**Number colors**) color mode, allow to select 8 color modes.

3.5.7 (**Set colors 1**) set one color, value [ 000 ] -- [ 255 ]

3.5.8 (**Set colors 2**) set two colors, value [ 000 ] -- [ 255 ]

3.5.9 (**Set colors 3**) set three colors, value [ 000 ] -- [ 255 ]

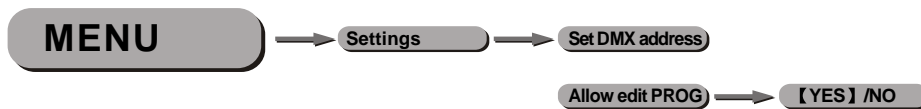
3.5.10 (**Set colors 4**) set four colors, value [ 000 ] -- [ 255 ]

## 3.6 SLAVE MODE



- Select (**slave mode**), press 'SET' to confirm and save this work mode

## 3.7 SETTING



- (**Set DMX address**), value [ 000 ] -- [ 255 ]
- (**Allow edit PROG**), select (**Allow edit [ YES ]**) to modify and save the user self-program

# 4 USING A DMX512 CONTROLLER

- 4.1 BASIC ADDRESSING
- 4.2 CHANNEL ASSIGNMENT

## 4.1 BASIC ADDRESSING

- Connect all of the DRAPE LED SYSTEM in series using standard DMX512 signal cable
- Select "12CH DMX MODE" or "24CH DMX MODE"(see section 3.2)
- It is possible to have the same DMX address or independent address for each DRAPE LED SYSTEM

## 4.2 CHANNEL ASSIGNMENT

### 12 CH DMX MODE

CHANNEL	VALUE	FUNCTION
1	0 ↔ 31	Mode [1]
	32 ↔ 63	Mode [2]
	64 ↔ 91	Mode [3]
	92 ↔ 127	Mode [4]
	128 ↔ 159	Mode [5]
	160 ↔ 191	Mode [6]
	192 ↔ 223	Mode [7]
	224 ↔ 255	Strobe mode
2	0 ↔ 255	Cross time
	0 ↔ 255	Strobe time
3	0 ↔ 255	Speed
4	0 ↔ 255	Minimum
5	0 ↔ 255	Maximum
6	0 ↔ 31	1 color mode
	32 ↔ 63	2 color mode
	64 ↔ 95	3 color mode
	96 ↔ 127	4 color mode
	128 ↔ 159	Four colors flow mode
	160 ↔ 191	Three colors flow mode
	192 ↔ 223	Two colors flow mode
	224 ↔ 255	Full color

CHANNEL	VALUE	FUNCTION
7,8,9,10	0 ↔ 9	Red
	10 ↔ 19	Yellow
	20 ↔ 29	Green
	30 ↔ 39	Cyan
	40 ↔ 49	Blue
	50 ↔ 59	Purple
	60 ↔ 69	White
	70 ↔ 79	Red & yellow
	80 ↔ 89	Green & yellow
	90 ↔ 99	Green & cyan
	100 ↔ 109	Blue & cyan
	110 ↔ 119	Red & purple
	120 ↔ 129	Blue & purple
	130 ↔ 139	White & red
	140 ↔ 149	White & green
	150 ↔ 159	White & blue
	160 ↔ 169	White & purple
	170 ↔ 179	Blue & cyan
	180 ↔ 189	Purple & blue
	190 ↔ 199	Purple & red
	200 ↔ 209	Cyan & blue
	210 ↔ 219	Green & yellow
	220 ↔ 229	White & cyan
230 ↔ 255	RGB MAX	
11	0 ↔ 10	Reset
	11 ↔ 30	Program [ 1 ]
	31 ↔ 40	Reset
	41 ↔ 60	Program [ 2 ]
	61 ↔ 70	Reset
	71 ↔ 90	Program [ 3 ]
	91 ↔ 100	Reset
	101 ↔ 120	Program [ 4 ]
	121 ↔ 130	Reset
	131 ↔ 150	Program [ 5 ]
	151 ↔ 160	Reset
	161 ↔ 180	Program [ 6 ]

CHANNEL	VALUE	FUNCTION
11	181 ↔ 190	Reset
	191 ↔ 210	Program [ 7 ]
	211 ↔ 220	Reset
	221 ↔ 255	Program [ 8 ]
12	0 ↔ 127	OFF
	128 ↔ 255	ON

### 24 CH DMX MODE

CHANNEL	VALUE	FUNCTION
1	0 ↔ 255	1st GROUP REDCOLOR
2	0 ↔ 255	1st GROUP GREENCOLOR
3	0 ↔ 255	1st GROUP BLUECOLOR
4	0 ↔ 255	2nd GROUP REDCOLOR
5	0 ↔ 255	2nd GROUP GREENCOLOR
6	0 ↔ 255	2nd GROUP BLUECOLOR
7	0 ↔ 255	3rd GROUP REDCOLOR
8	0 ↔ 255	3rd GROUP GREENCOLOR
9	0 ↔ 255	3rd GROUP BLUECOLOR
10	0 ↔ 255	4th GROUP RED COLOR
11	0 ↔ 255	4th GROUP GREENCOLOR
12	0 ↔ 255	4th GROUP BLUE COLOR
13	0 ↔ 255	5th GROUP REDCOLOR
14	0 ↔ 255	5th GROUP GREENCOLOR
15	0 ↔ 255	5th GROUP BLUE COLOR
16	0 ↔ 255	6th GROUP RED COLOR
17	0 ↔ 255	6th GROUP GREENCOLOR
18	0 ↔ 255	6th GROUP BLUE COLOR
19	0 ↔ 255	7th GROUP REDCOLOR
20	0 ↔ 255	7th GROUP GREENCOLOR
21	0 ↔ 255	7th GROUP BLUE COLOR
22	0 ↔ 255	8th GROUP REDCOLOR
23	0 ↔ 255	8th GROUP GREENCOLOR
24	0 ↔ 255	8th GROUP BLUE COLOR

# 5 MAINTENANCE

- 5.1 MAINTENANCE
- 5.2 PARTS LIST

## 5.1 MAINTENANCE

- A minimum distance of 0.5m must be maintained between the equipment and combustible surface.
- Always disconnect the power supply before attempting and maintenance.
- The earth wire must always be connected to the ground.
- Well pack the DRAPE, be careful not to put any heavy things on it.

## 5.2 PARTS LIST

### LED DRAPE

PART ORDERNo.	ITEM
26-2A-LED502DRV-00	Driver board
26-2A-LED502D-00	LED board

### DRAPE LED SYSTEM

PART ORDERNo.	ITEM
16-03-0031-00	Power supply
26-2A-LED302DI-00	Display board
26-2A-LED502M-00	Main board