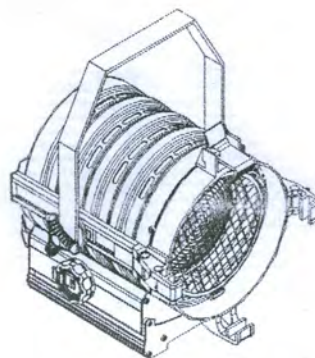


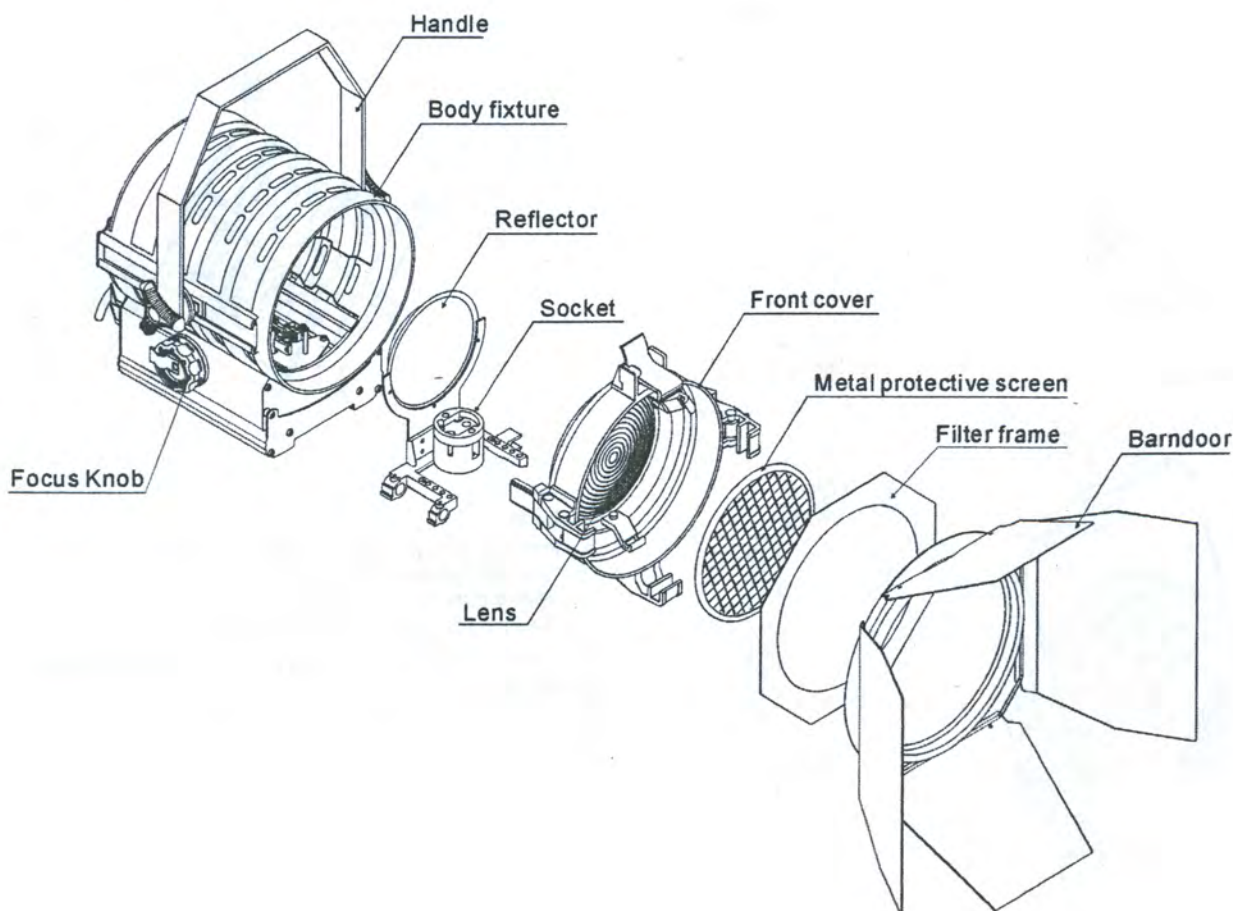
Instruction manual



Fit Stage Lighting
FSD1000F
1000W
Spotlight
Lamp Socket: G22
Lens: \varnothing 150mm
Net Weight: 5.6kg

※Please save this manual for consult, and read it before use.

Disassemble Picture



Manual escaneado

Fit Series spotlight

Fit series spotlight is light-weighted and designed for top, side back, front lighting in TV -Station, Theatre, Gym, Exhibition, Film Studio and so on.

Fit

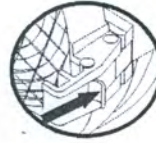
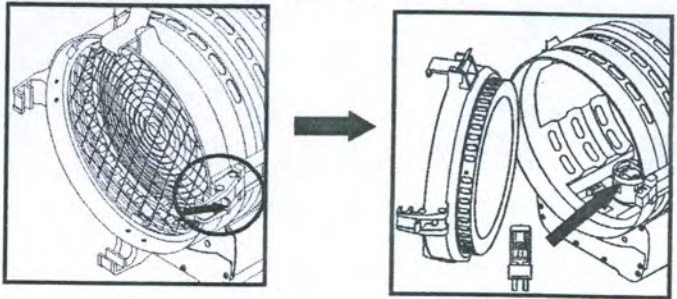
1000W Spotlight 1000W

FSD1000F

Rating, Specifications

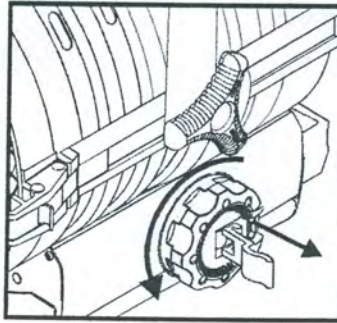
Model	FSD1000F
Voltage	120V
Wattage	1000W
Suitable Lamp	CP/70
Max Ambient Temperature	40°C
Max Surface Temperature	165°C
Body Weight	5.6kg
Tilt Angle-Hang Use	UP 40° DN 90°
Tilt Angle-Stand Use	UP 90° DN 40°
Min Safe Interval to Flammable Object	0.7m
Min Throw Distance from Flammable Object	2.0m
Lens	MENISQUEUS ϕ 150mm FRESNEL
Lamp Socket	G22
Cable	Silica gel string 1.2m
Body Material	Aluminum
Color	Black
Color Frame	250x250

Installing (replacing) the lamp

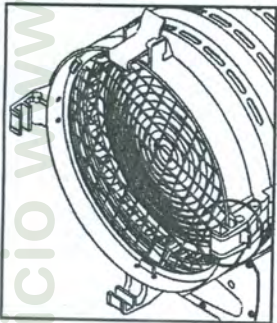


Press the lock catch downward, then pull the front cover to do the replacement.

Focus



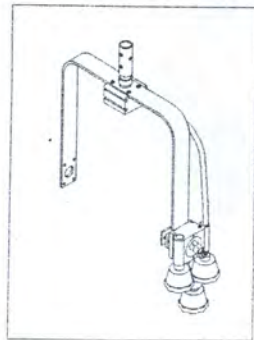
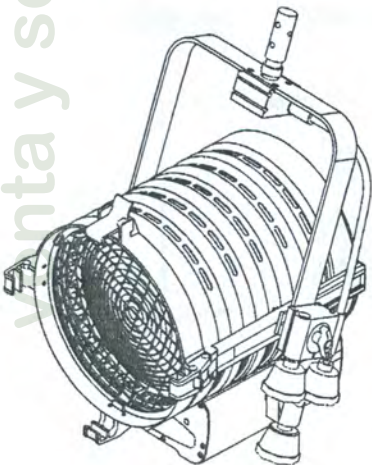
Holder



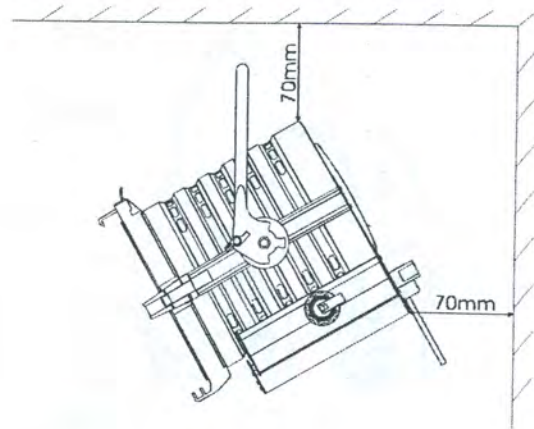
Filter frame holder

Barndoor holder

Pole Operater



Instructions for Installation



Notice

- lock the screw firmly and keep the fixture ventilated.
- Do not touch it when it is hot.
- Make sure the fixture is grounded.
- Keep over 100cm's distance away from ambient objects.
- Never touch the fixture within 10 minutes' power disconnection.
- Do keep the power supply disconnected when replacing lamps or doing maintenance..
- Make sure that all accessories are not damaged.