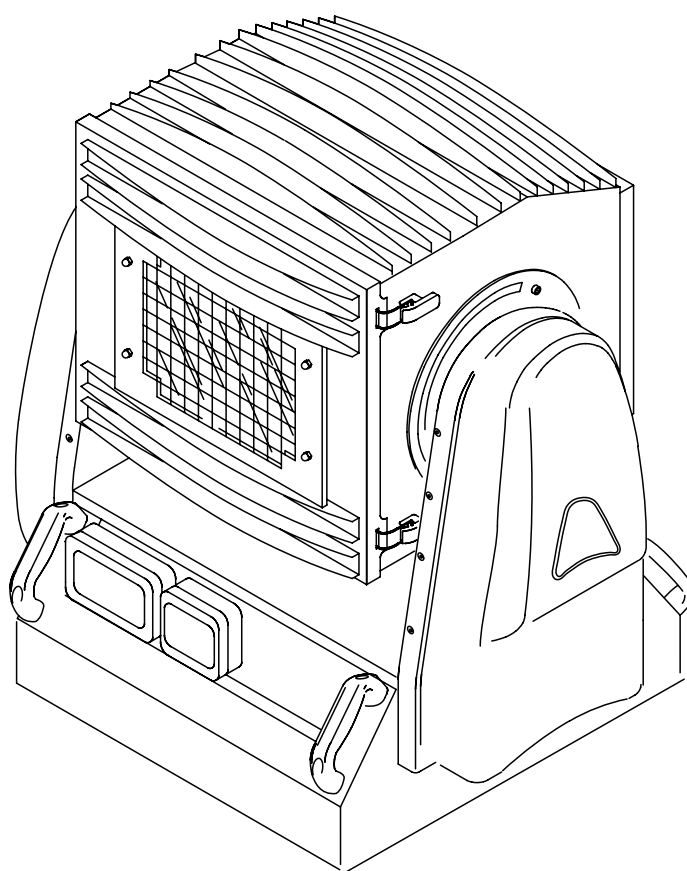


# Showco Citylight



## USER MANUAL

## ENGLISH INDEX

1) C hecking .....	page 1
2) Safety in form ation .....	page 1
3) A ttention .....	page 2
4) Installation .....	page 3
5) Installation of the discharge lam p .....	page 4
6) IP rate .....	page 5
7) O peration instruction .....	page 6
8) C ontrolling channels .....	page 7
9) Sym bol/LCD description and function .....	page 8
10) C ontrol techniques .....	page 8
11) Technical reference .....	page 9
12) Function .....	page 9
13) M aintain .....	page 9
14) A nnouncem ent .....	page 9
15) E lectrical diagram .....	page 10
16) A ppendix table A .....	page 11
17) A ppendix table B .....	page 12

Please read over this m anual before operation the light

## CHECKING

This light has adopted advanced design and technology with attractive outlook and uses CMY 3 basic color. It is controlled by DMX signal and changes colors rapidly or uses preset program to run. The lamp is HMI 2500W discharge, bright and gorgeous. This light can be used in outdoors, disco, park, cultural site, bridge, castle, hotel, building, villa, stage and others. Please check if there is any damage in the light and read the manual carefully before use.

Accessory: 1pc signal cable;  
1pc user manual.

## SAFETY INFORMATION

### WARNING :

- READ ALL CAUTIONS AND WARNINGS PRIOR TO OPERATE THIS EQUIPMENT.
  - INSTRUCTION TO PREVENT INJURY OR DAMAGE DUE TO ELECTRIC SHOCK, FIRE, MECHANICAL HAZARDS AND UV RADIATION HAZARDS.
- #### 1. PROTECTION AGAINST FIRE
- 1) This equipment is designed for use with the following lamps only: HMI 2500W . DO NOT USE ANY OTHER TYPE LAMP!
  - 2) Maintain minimum distance of 0.5 meter from walls or any other type flammable surfaces.
  - 3) Maintain minimum distance to lighted objects of 5.0 meter
  - 4) Replace fuses only with the specified type and rating.
  - 5) Do not install the spot close to heat sources. Do not lay the connection cable on the spot when it is warm .
- #### 2. PROTECTION AGAINST ELECTRIC SHOCK
- 1) This equipment must be earthed.
  - 2) Class I equipment. The power supply cord includes a protective earthing conductor as part of the cord.
  - 3) For connection to the supply mains proceed as pict.1 page 3. The equipment must be connected to branch circuit having a circuit-breaker  $I_n=16A$   $I_d=0.03A$  (230VAC)
  - 4) Disconnect power before lamp's replacement or servicing (service personnel).

### 3. PROTECTION AGAINST MECHANICAL HAZARDS

- 1) Use secondary safety chain when fixing this equipment.
- 2) Hot lamp explosion hazard. Do not open the equipment for 300 seconds after switching off.
- 3) Equipment surface may reach temperature up to 100°C. Allow about five minutes before handling.
- 4) Replace the lamp if it is damaged or thermally deformed.

### 4. PROTECTION AGAINST UV RADIATION HAZARDS

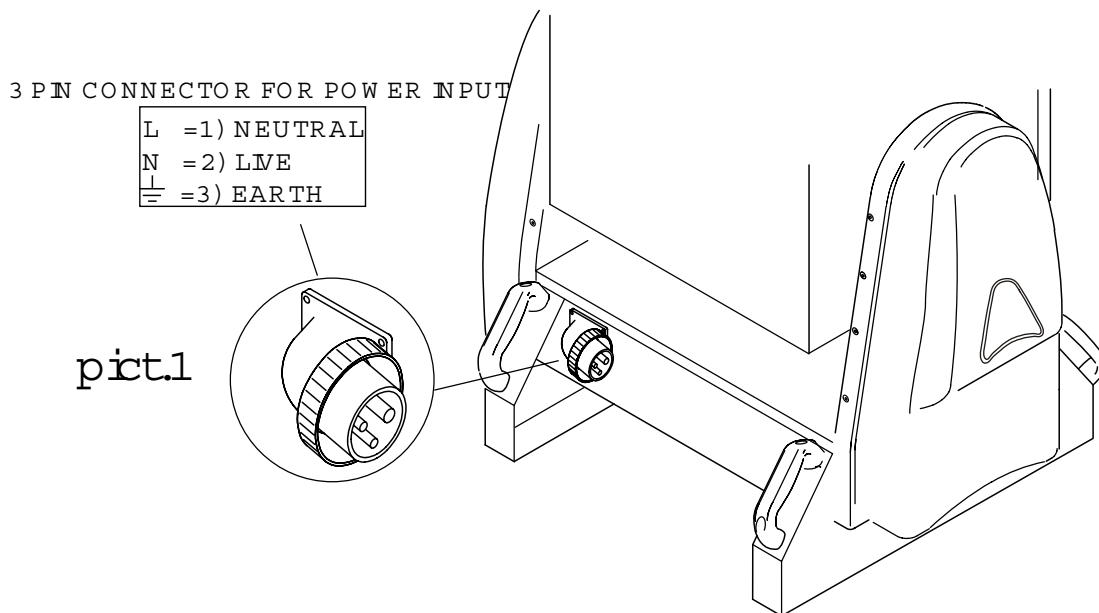
- 1) Do not start on this equipment without lamp enclosure or if the protection screens, or ultraviolet screens are damaged.
- 2) The protection screens, the lenses, or the ultraviolet filters must be replaced if they are visibly damaged and their effect has been reduced, for example, by cracks or deep scratches.
- 3) Do not look directly at the lamp while lamp is on.

### ATTENTION

1. Please operate the light according to the user manual and do not take apart the light by yourself without permission. Please call the technician in case the machine broken down.
2. Pay attention to prevent the light from strong bump.
3. Prevent the dust into the product.
4. Keep the vent-pipe well before put into power.
5. Keep the plug insert well before put into power.
6. Don't look the light directly to prevent make some destroy with eyes.
7. With the protective switch, the light will be closed automatically if the cover is opened and the working temperature is over-high.
8. Don't light or extinguish frequently, otherwise the life span of the light tube will be shortened.
9. In view of the special characters, after operated the light shall be paused about 5 minutes before be used next time.
10. Don't touch the product and draw the power line if your hand is wet.
11. Keep the space between light equipments and the lighted things more than one meter.
12. Don't touch the metal parts of light during device is working.
13. Don't operate the light without lamps.
14. If the light equipment doesn't as light as before or there have some destroy with lens or other parts, please contact the distributor in time.
15. When you want to retransfer the products, you'd better use the original package to shockproof.

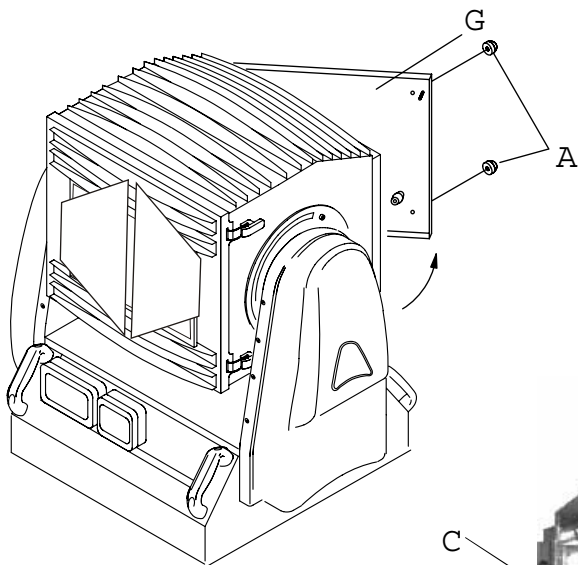
## INSTALLATION

1. Please confirm whether the voltage you have is same as signed on the light before install.
2. Install by technician. It must be placed safely and best light angle.
3. Must keep space between light equipments and combustibles more than half a meter.
4. Observe minimum distance to lighted objects of 5 meters.
5. The fans and vent-pipes should not be jammed by other equipment and decorative materials.
6. The environmental temperature should not more than 35°C.
7. The light must be fixture installed.
8. In safety view please put ground wire into the ground.
9. Please make sure that the power already cut off and the light is cool enough before change the lamp. (the highest temperature of the lamp is 200°C).
10. IP 54 grade: the equipment must be installed on the horizontal plane.
11. The power supply cords construction is shown in pict.1. For connection to the mains supply proceed as pict.1.

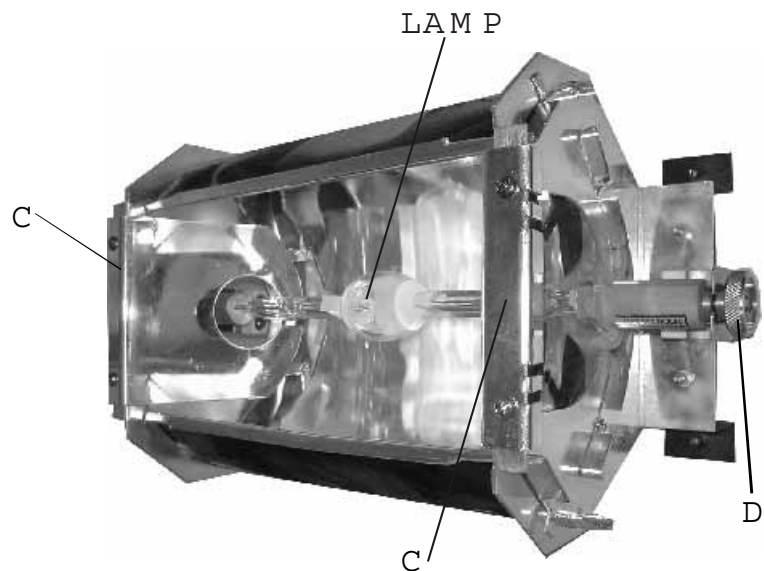


## INSTALLATION OF THE DISCHARGE LAMP

- 1) Disconnect power before lamp's replacement. Wear gloves and goggles.
- 2) Remove completely the pom m els ( A ) on the base of the head.
- 3) Open the base of the lamp room ( G ).
- 4) Remove the two lateral reflectors ( C ).
- 5) Remove the pom m els ( D ).
- 6) Install the new lamp. Taking care that protuberance of the bulb is set towards the reflector.
- Do not touch the quartz bulb with fingers. If this happening, clean the bulb before use with dry cloth and alcohol.
- 7) hold the pom m els tightly ( D ).
- 8) Put in again the two lateral plane reflectors ( C ).
- 9) Close the rear panel and install again the two pom m els ( A ) and hold them tightly.



Pict.2



## IP R A T E

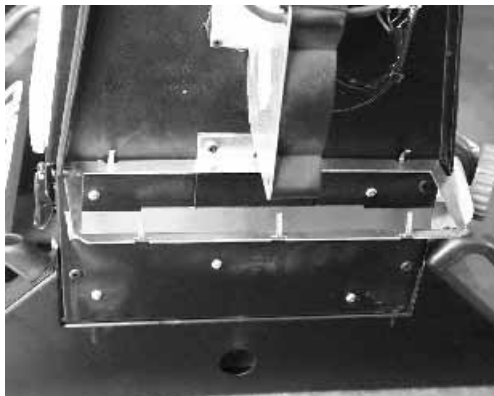
The declared IP rate of the C ity L ight com es supported at these conditions:

- the installation of the fixture on a w ide and stable surface.
- the aircooling inputand outputare located on the base of the side-shell,it is not possible to install the fixture outdoorw ith the ballast upw ards.
- you m ustuse the filter supplied w ith the basic kit for the IP R A T E 54 .

W A R N N I N G :

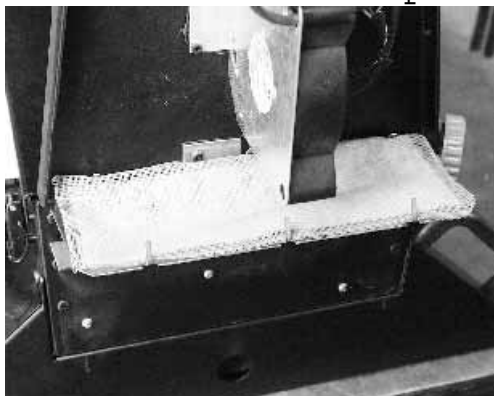
- The C ity L ight has a IP rate 44 w ithout filters installed and an IP R A T E 54 w ith filters installed.
- You m ustuse the filters in critical w orking conditions and ,norm ally, w hen the fixture w orks outdoor.
- You m ustrem ove the filters w hen the am bient tem perature is over 35°C .
- You m ustregularly clean the filters to allow the correctcooling of the fixture.

## INSTALLATION OF THE DUST PROOF FILTERS



You m ustrem ove the tw o side protective shells. The tw o filtersm ust be assem bled on the bulkheads at the bottom of the side

prt.3

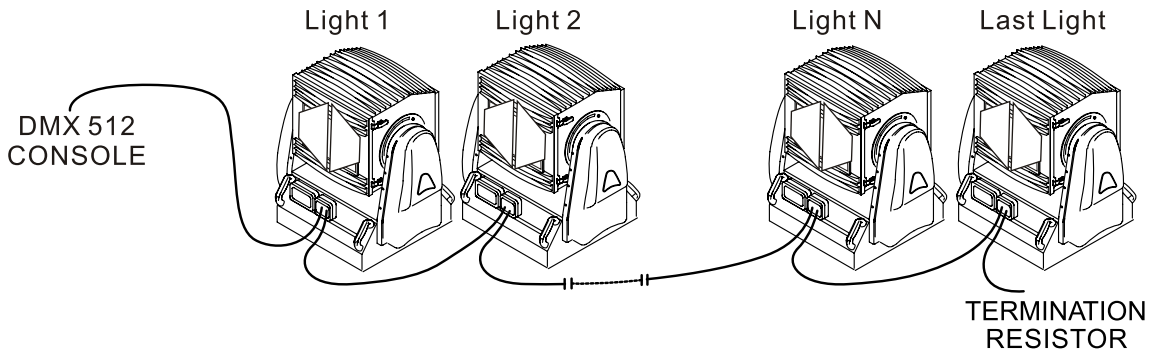


Pay attention to the installation :

D ustproof filtersm ust stick correctly to prevent the entrance of the dust. You m ust control that the tw o filters com pletely cover the overall of the air entrance .

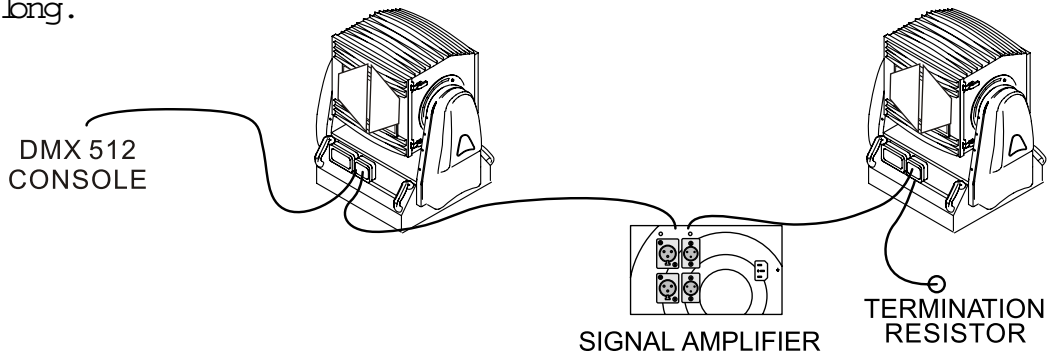
## O P E R A T I O N I N S T R U C T I O N

- 1 Set the digital address number.
- 2 Not only can use DMX 512 signal to control the light but also can use master or slave control mode. Two or more lights can be connected and in-phase working.
- 3 Use XLR-XLR cable to connect from DMX 512 controller to the first light, then from first light to second light, and from second to the third, etc. for instance:



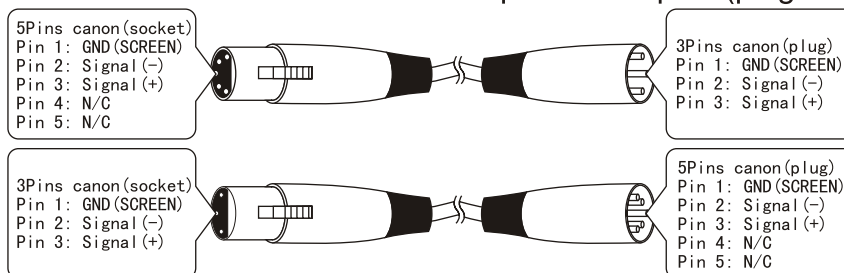
Note: Please remember the signal output of last machine must connect the attached circle plug. The circle plug connect a 120  $\Omega$  resistance between 2 feet and 3 feet canon plug. The signal reflects phenomena can be avoided by using circle plug during DMX 512 signal transfer.

- 4 If the lines have a total length over 150-200 m ts it is suggested to use a signal amplifier. The usage of a normal microphonic or audio cable is suggested only for lines max 100 m ts long.

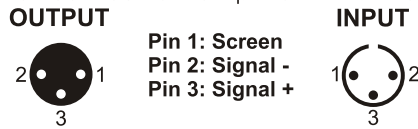


- 5 This light uses 3 pins XLR plug. Otherwise use a changing adaptable cable for signal cable.

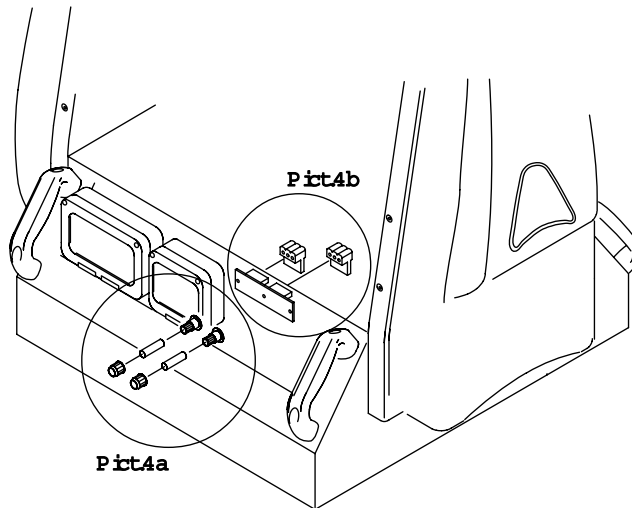
The transform of the controller line of 3 pins and 5 pins (plug and socket)



3 pins canon connect to the input of DMX512 connection



6. To ensure the IP54 rate you must connect the DMX cable inside the base. Use the given cables fixing (pict. 4a) and connect by following the cables numbering (pict. 4b).



7. The lamp is HM I2500W discharges, so it is about 5 minutes to light the lamp completely.

And the lamp needs 15 minutes to cool down before restarting it.

8. This light has self-checking function. It can start operation after the self-checking.

## CONTROLLING CHANNELS

1. It uses 5 channels of DMX 512 to control or operate:

No.	Channel	0-255 Value	Function
1	Speed	0-255	0-255 adjust speed from slow to fast
2	Adjust light/Open light	0-255	0-255 for open and adjust
3	Red	0-255	0-255 for red
4	Blue	0-255	0-255 for blue
5	Yellow	0-255	0-255 yellow

2. It needs to be addressed with code. Each channel address number is calculated by:  $ADDR = N \times 5 - 5$ , E.g.:

LGHT #	ADD #	LGHT #	ADD #
1	000	4	015
2	005	5	020
3	010	6	025
		•	•
		•	•
		•	•

## SYMBOL /LCD DESCRIPTION AND FUNCTION

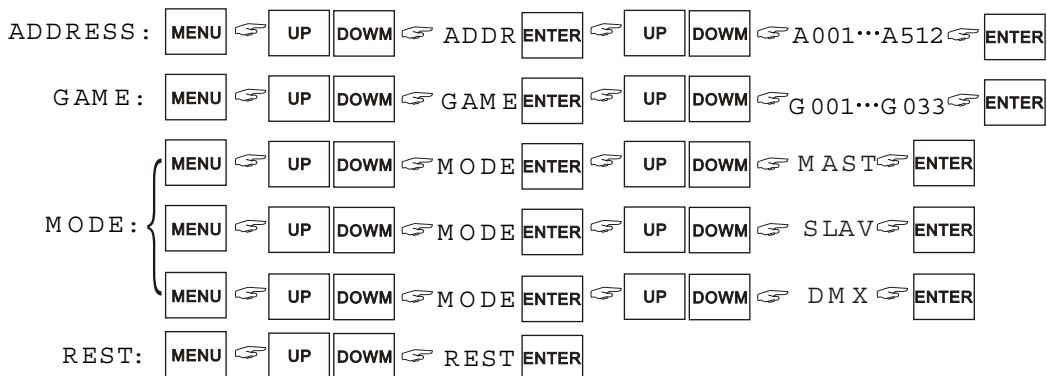
### 1. Symbol:

UP	Up selecting key
DOWM	Down selecting key
MENU	Open it for each addressing
ENTER	Enter for confirmation

### 2. Digital LCD :

LCD	WORDS	FUNCTION
ADDR	Address	Channels for addressing (1.....512)
GAME	Inner Program	0~15 fixed color, 16~33 combination of changing colors
MODE	Mode	Control mode: MAST for main light, SLAV for slave light, DM X for DM X 512
REST	Reset	Self-check

### 3. The next table is for set function mode:



## CONTROL TECHNIQUES

1. Set the Mode to DM X while using DM X 512 to control lights; connecting the lights in series with signal cables and set proper address number, and then you can use DM X 512 console to control light.
2. Set the Mode to MAST to operate the single light without DM X 512 controller. The moving mode is controlled by GAME mode, 0-15 for fixed colors and 16-33 for combination of changing colors. The MAST single mode can be used easily by user and don't need the Controller that is very popular.
3. Without DM X 512 controller, all lights can be still set to work in phase. First connect them with signal cables, and set one for MAST mode, others for SLAV, then all lights will work under the MAST light control. This mode is also very popular and it save the add money for custom ers.

## TECHNICAL REFERENCE

1. Voltage: AC 220V ~240V ,50/60 HZ
2. Power: 2680W
3. Lamp: HMI 2500W
4. Size: 80×52×75cm
5. Net weight: 62.4kg
6. Electric current: 18A

## FUNCTION

1. Channels: 5
2. Control: DMX 512
3. Mode: MASTER /SLAVE
4. Color: 3 COLORS + WHITE, CHANGEABLE, CYM, color mix system
5. Dimmer: 0 -100%
6. Protect grade: IP 54
7. Other function: self-check and self-run

## MAINTAIN

1. The optical lens and illuminators must be cleaned regularly to protect a better effect. You can clean them according to the light's operating times and the using situation. Use soft cloth and original glass cleaner to clean. You'd better clean exterior optical system every 20 days and inside optical system every 60 days at least.
2. Don't use organic solvents such as alcohol to clean the cover of light.

## ANNOUNCEMENT

1. When we deliver the goods out of factory, its function is good and package is well. All users must obey all noted attentions and operate rules. We won't serve free of charge repair if the destroy be caused by your own wrong operation. All the problems which be caused by not operation according to the user manual also not the duty of distributor.
2. We won't inform again if it has any more changes of user manual.

Appendix Table A (GENERAL TROUBLESHOOTING)

Problem	Pilot-tests (guide)	Probable causes	Suggested solutions
The unit does not turn on, the fans do not work. The unit is completely dead	Measure the mains voltage on the main connector. If you have the right value the main fuses are blown	No power. Power cord or connectors. Main fuses blown.	Connect power. Replace the cables and the connectors. Replace the mains fuse
The unit works normally but the lamp does not turn on	When switching on, you can hear the clack of the internal circuit breaker.	Bad lamp. Lamp is too hot to re-strike. Mains voltage is too low. The igniter is not working. Wrong ballast wiring.	Replace the lamp. Wait for the lamp cooling Measure the mains voltage. Replace the igniter Check the ballast wiring
The unit works normally but the lamp does not turn on	When switching on, you can not hear the clack of the internal circuit breaker	The unit is not properly closed (cover and/or lamp house) Fault on wiring, PCB, switches	Check and close all the eight mechanical latches Carry out the tests
The unit works normally but the lamp does not turn on.	The thermal switch on the head of the fixture is open.	Too high temperature inside the head. The fan on the head is not working	Wait that the lamp housing has cooled down. Check and if necessary replace the fan.
The lamp is cutting out intermittently	The lamp is not working well. The values reached by the internal temperature are too high	The tension of the power supply is either too high or too low. The fan on the head is not working regularly The air grilles are stopped up.	Measure the mains voltage. Check and if necessary replace the fan. Clean the grilles

Appendix Table B (DATA LINK (DM X 512) TROUBLESHOOTING)

Problem	Pilot-tests (guide)	Probable cause (s)	Suggested Solutions
<p>None of the City Lights responds to controller The DM X led is switched off.</p>	<p>Make sure that all the units are set in DM X mode. After the configuration reset all the fixtures</p>	<p>The controller is not connected to the fixtures. The cable from the controller to the first of The City Light is interrupted (or pin 2 and 3 are swapped or the cables are on short Circuit)</p>	<p>Connect the controller properly. Use an already tested cable and connect the fixtures one by one.</p>
<p>One or more of the City Lights do not respond to the controller Or do it wrongly.</p>	<p>The non-working fixtures are always the same. The fixtures work accidentally. If one of the connecting cables is missing this may cause a random malfunctioning in addition to apparent normal operation. If the inverted-data is cut wire is cut (pin. 2 on the DM X connector) the line works intermittently.</p>	<p>Wrong DM X address in the fixture. Wrong data cables, or disconnected or shorted.  One fixture has a broken DM X board.  DM X link not terminated.</p>	<p>Set the proper address Check and if necessary replace the cables. Use a tested cable and replace only one at a time. Use a tested cable and exclude only one fixture at a time. Insert the terminator on The last fixture (pag.6)</p>