

D-SPLIT



GENERAL INFORMATION

D-SPLIT is an optical isolator/splitter for DMX512.

Its purpose is to allow the user more flexibility in connecting their DMX controlled devices. Instead of having to make them all fit within a single daisy chain, each of the four outputs from the D-SPLIT can be the start of its own chain, and multiple D-SPLITS can be linked together if needed.

APPLICATIONS

- SMALL THEATRES
- MUSICIANS/BANDS
- DJS
- CHURCHES

FEATURES

- Lightweight and portable
- 1 input, 4 outputs, all optically isolated (protects against up to 1000V of stray voltage)
- DMX512-1990 compatible

ENTTEC Main HQ
17 / 5 Samantha Court
Knoxfield, VIC 3180
Australia
+61 3 9763 5755 Tel
+61 3 9763 5688 Fax

Information accurate at time of printing but Enttec reserves the right to change specifications of product when manufacturing process requires it. Please consult Enttec for latest update if specific functionality is required for project.

- Control up to 512 channels
- LED indicators show Power and DMX output
- External 9V Power Supply
- Has two 5 pin and two 3 pin outputs for greater flexibility

ORDERING INFORMATION

Part Number	Description
#70572	D-SPLIT

ACCESSORIES

A DMX terminator is recommended to go at the end of each chain of DMX signal. Commonly found adapters can change from 3 pin to 5 pin format and vice versa.

Part Number	Description
#79122	5 PIN TERMINATOR
#79123	3 PIN TERMINATOR
#70029	3 PIN FEMALE - 5 PIN MALE
#70023	3 PIN MALE - 5 PIN FEMALE

SPARE PARTS

Part Number	Description
#79104	9V Power Supply

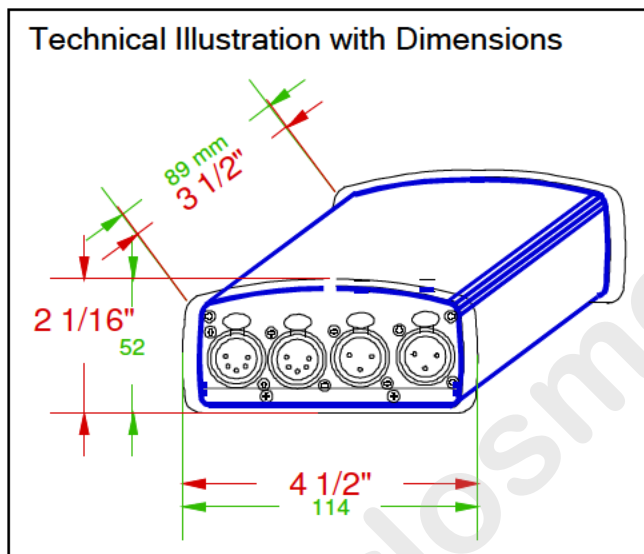
GENERAL SPECIFICATIONS

Power Requirements	9V, 300mA supplied by external power supply (included)
Weight	0.66 LBS / 0.3 KG
Shipped Weight	0.88 LBS / 0.4 KG
Width	4½" / 114MM
Height	2 1/16" / 52MM
Depth	3½" / 89MM
Operating Environment	0°-50°C in non-condensing environment

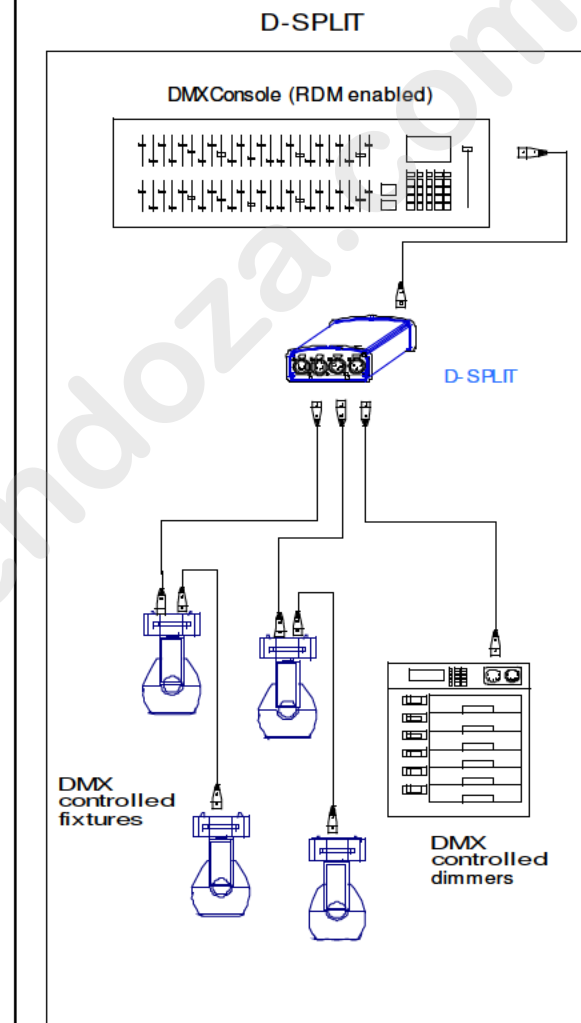
ENTTEC USA SALES
1821 Hillandale Rd Ste 1B-351
Durham, NC 27705
sales@enttec.com
888 454-5922 Tel.
888 454-5922 Fax

FUNCTIONAL SPECIFICATIONS

- DMX Output - 5 Pin XLR and 3 Pin XLR All four may be used simultaneously, or any combination.
- 1000V isolation between input and output, and between any individual output receptacle. This is to protect your console from surges on DMX line, and also keep any stray voltage from crossing to other DMX chains.



Wiring Diagram (Riser)



ENTTEC Main HQ
17 / 5 Samantha Court
Knoxfield, VIC 3180
Australia
+61 3 9763 5755 Tel
+61 3 9763 5688 Fax

Information accurate at time of printing but Enttec reserves the right to change specifications of product when manufacturing process requires it. Please consult Enttec for latest update if specific functionality is required for project.

ENTTEC USA SALES
1821 Hillendale Rd Ste 1B-351
Durham, NC 27705
sales@enttec.com
888 454-5922 Tel.
888 454-5922 Fax